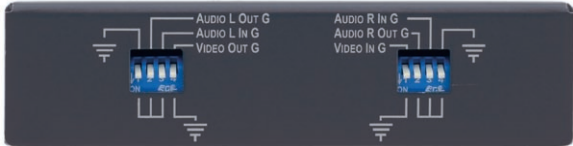


TR-3

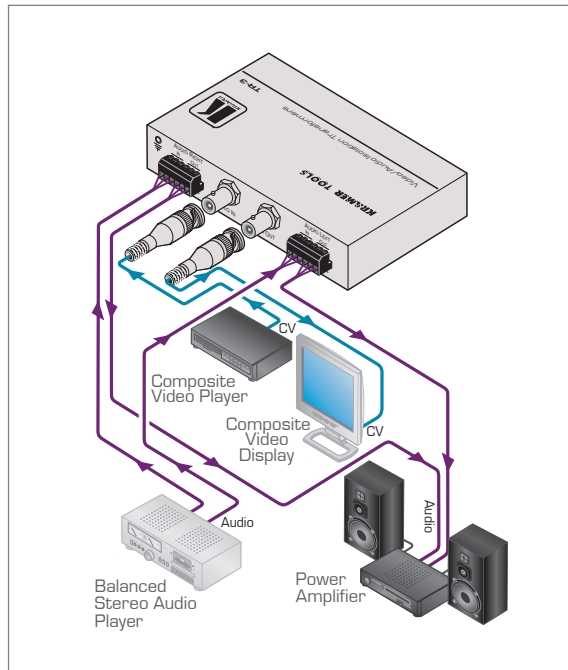
Video & Balanced Stereo Audio Isolation Transformer



The TR-3 is a high-performance audio isolation transformer for composite video and balanced stereo signals. It provides complete isolation between devices to eliminate hum, ground loops and DC offsets that can degrade the audio and video quality.

FEATURES

- Video Bandwidth - <math><10\text{kHz}</math> to 5.8MHz (-3dB).
- Audio S/N Ratio - -83dB to +4dBu @ 1kHz.
- Audio & Video Input & Output External Ground Terminals.
- Audio & Video Grounding Options - DIP-switch selectable.
- Passive - No power required.
- Compact Kramer TOOLS™ - 3 units can be rack mounted side-by-side in a 1U rack space with the optional RK-3TR rack adapter.



TECHNICAL SPECIFICATIONS

INPUT:	1 composite video, 1Vpp/75Ω on a BNC connector; 2 balanced stereo audio +4dBu/600Ω on detachable terminal blocks.
OUTPUTS:	1 composite video, 1Vpp/75Ω on a BNC connector; 2 balanced stereo audio +4dBu/600Ω on detachable terminal blocks.
INSERTION LOSS:	0.8dB (video).
MAX. OUTPUT LEVEL:	Video: 4Vpp/75Ω; Audio: +26dBu.
BANDWIDTH (-3dB):	Video: <math><10\text{Hz}</math> to 5.8MHz -3dB; Audio: 20Hz to 20kHz.
DIFF. GAIN:	0.05%.
DIFF. PHASE:	0.05Deg.
K-FACTOR:	<math><1.2\%</math>.
S/N RATIO:	Video: 73dB; Audio: -83dBu @ +4dBu/1000Hz.
CONTROLS:	DIP-switches to connect to chassis.
VIDEO TILT:	0.1% @Pulse & Bar.
VIDEO NON LINEARITY:	0.1%.
COUPLING:	Video: transformer; Audio: transformer.
AUDIO THD + NOISE:	0.025% @ +4dBu/1000Hz.
DIMENSIONS:	12.1cm x 7.2cm x 3cm (4.77" x 2.85" x 1.2") W, D, H.
WEIGHT:	0.34kg (0.75lbs) approx.
ACCESSORIES:	Mounting brackets.
OPTIONS:	RK-3TR 19" rack adapter.

SPECIALTY AV PRODUCTS

