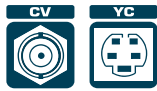


401C

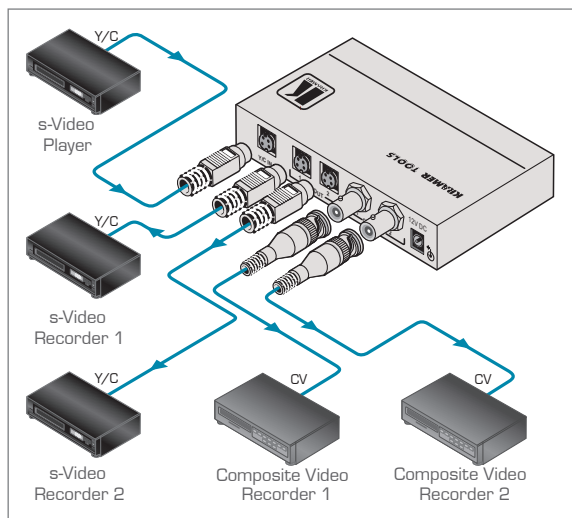
s-Video to Composite Video Format Converter



The **401C** is a high-performance format converter for s-Video (Y/C) signals. It converts an s-Video input to two composite and two s-Video (Y/C) outputs simultaneously.

FEATURES

- Bandwidth (Y) - 160MHz (-3dB).
- Output - 2 composite, 2 s-Video.
- Compact Kramer TOOLS™ - 3 units can be rack mounted side-by-side in a 1U rack space with the optional RK-3T rack adapter.



TECHNICAL SPECIFICATIONS

INPUT:	1 s-Video, 1Vpp/75Ω (Y), 0.3Vpp/75Ω (C) on a 4-pin connector.
OUTPUTS:	2 s-Video, 1Vpp/75Ω (Y), 0.3Vpp/75Ω (C) on 4-pin connectors; 2 composite video, 1Vpp/75Ω on BNC connectors.
MAX. OUTPUT LEVEL:	1.4Vpp.
VIDEO BANDWIDTH (-3dB):	160MHz (Y).
NON-LINEARITY:	0.05%.
DIFF. GAIN:	0.08%.
DIFF. PHASE:	0.08Deg.
K-FACTOR:	0.1%.
VIDEO S/N RATIO:	Better than 80dB (Y channel).
POWER SOURCE:	12V DC, 60mA.
DIMENSIONS:	12cm x 7.5cm x 2.5cm (4.7" x 2.95" x 0.98") W, D, H.
WEIGHT:	0.28kg (0.62lbs) approx.
ACCESSORIES:	Power supply, mounting bracket.
OPTIONS:	RK-3T 19" rack adapter.

