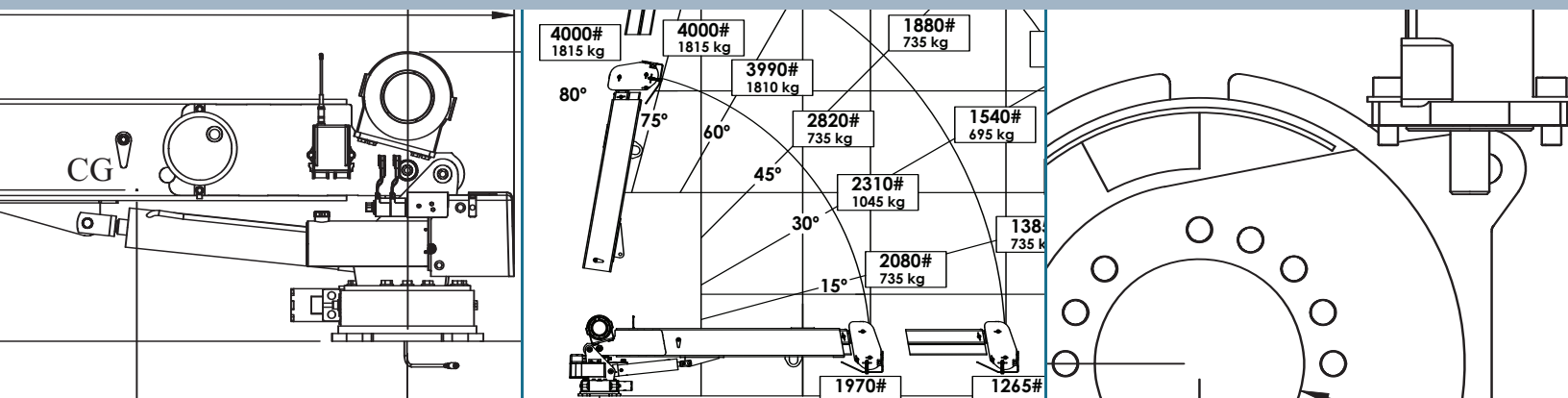


EC4000

THE EC SERIES OF SERVICE CRANES BY





TECHNICAL SPECIFICATION GUIDE

■ SPECIFICATION INFORMATION

	16' OPTION	20' OPTION
Crane Rating:	16,000 ft-lbs (2.21 ton-meters)	16,000 ft-lbs (2.21 ton-meters)
Standard Boom Length:	8' (2.44 m) from CL of Crane	10' (3.05 m) from CL of Crane
Boom Extension:		
• 1st stage:	Hydraulic 48" (121.9 cm)	Hydraulic 60" (152.4 cm)
• 2nd stage:	Manual 48" (121.9 cm)	Manual 60" (152.4 cm)
Max. Horizontal Reach:	16' (4.88 m) from CL of Crane	20' (6.10 m) from CL of Crane
Maximum Vertical Lift: (from crane base)	17' 4" (5.28 m)	21' 3" (6.48 m)
Boom Elevation:	-5 to +80 degree	-5 to +80 degree
Stowed Height: (crane only)	28.53" (72.47 cm)	29.53" (75 cm)
Mounting Space Required:	19" x 19" (48.3 x 48.3 cm)	19" x 19" (48.3 x 48.3 cm)
Shipping Weight:	970 lbs (440 kg)	1180 lbs (535 kg)
Controls:	Radio control standard for all functions	Radio control standard for all functions
Winch		
• Rope Length:	90' (27.4 m)	90' (27.4 m)
• Rope Diameter:	5/16" (.79 cm)	5/16" (.79 cm)
• Line pull speed:	15 ft/min (4.6 m/min)	15 ft/min (4.6 m/min)
• Max. single part line:	2000 lbs (905 Kg)	2000 lbs (905 Kg)
• Max. double part line:	4000 lbs (1815 Kg)	4000 lbs (1815 Kg)
Rotation:	410 degree power (worm gear)	410 degree power (worm gear)
Lifting Capacities:	4000 lbs @ 4' (1814 Kg @ 1.22 m) 935 lbs @ 16' (420 Kg @ 4.88 m)	4000 lbs @ 4' (1814 Kg @ 1.22 m) 800 lbs @ 20' (363 Kg @ 6.1 m)
Power Supply Required:	12 volt power unit 2.0 gpm @ 2300 psi (7.57 lpm @ 159 bars)	12 volt power unit 2.0 gpm @ 2300 psi (7.57 lpm @ 159 bars)

■ DEFINING CHARACTERISTICS

Planetary Drive Winch System

The winch is equipped with a 1.8 HP permanent magnet electric motor with a 315:1 planetary gear reduction system. This ensures that your winch will never quit lifting before it reaches the full rated capacity.

Double Boom Design

The double boom design makes it nearly twice as strong as the nearest competitor.

Gear Bearing Rotation

Uses same rotation system as the larger class cranes. There are no plastic bushings or brass gears in the rotation system. It uses a high strength steel ball bearing turntable gear, a high strength steel worm gear, and a cast steel worm gear housing.

Integral Rotation Stop

410 degrees of rotation with an integrated rotation stop. Integrated stops allow you the greatest performance while protecting wires and hoses from damage.

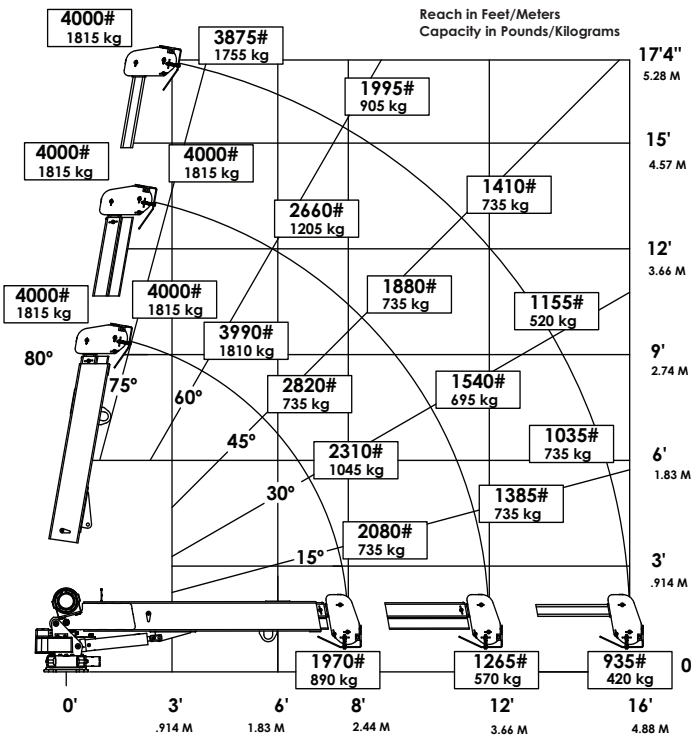
16' or 20' of Reach

Hydraulic 1st stage extension. Manual 2nd stage extension.

Radio Remote

Comes standard with a radio remote control.

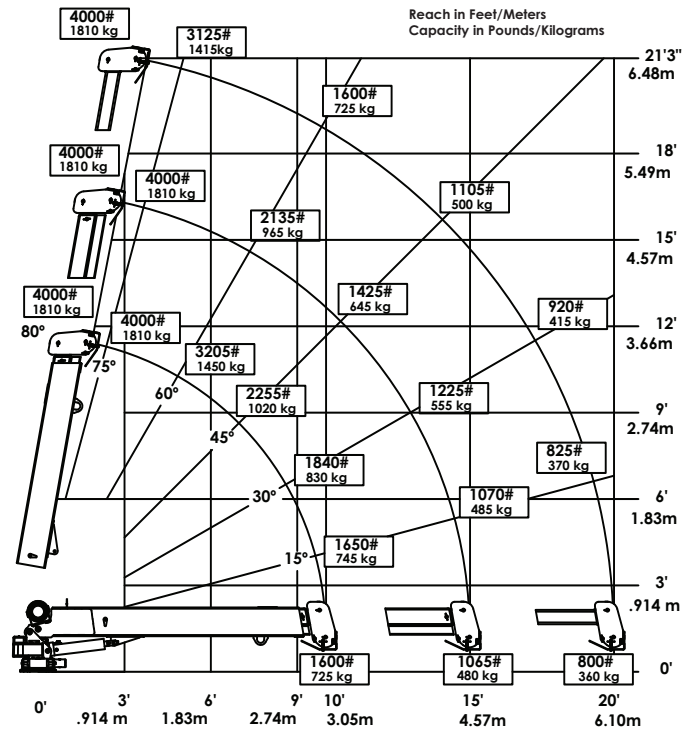
■ EC4000 CAPACITY CHART (16' SERIES)



Weight of load handling devices are part of the load lifted and must be deducted from the capacity.

Maximum 1 - part line capacity is 2000 lbs. (905 kg). For greater loads, use 2 - part line.

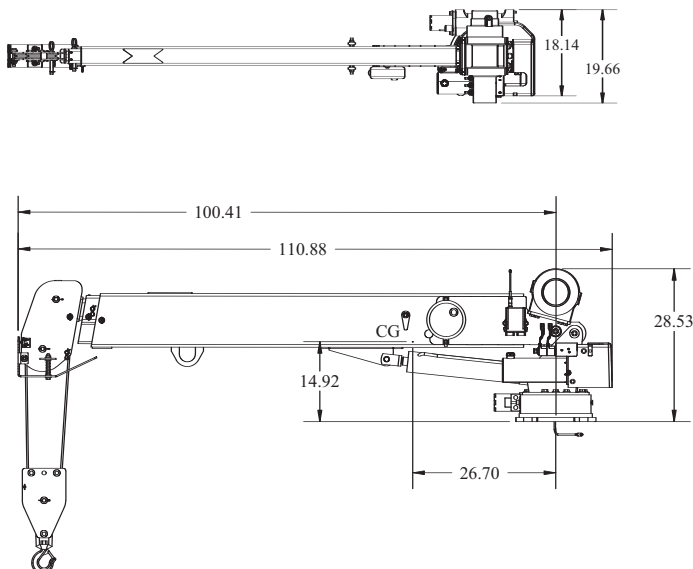
■ EC4000 CAPACITY CHART (20' SERIES)



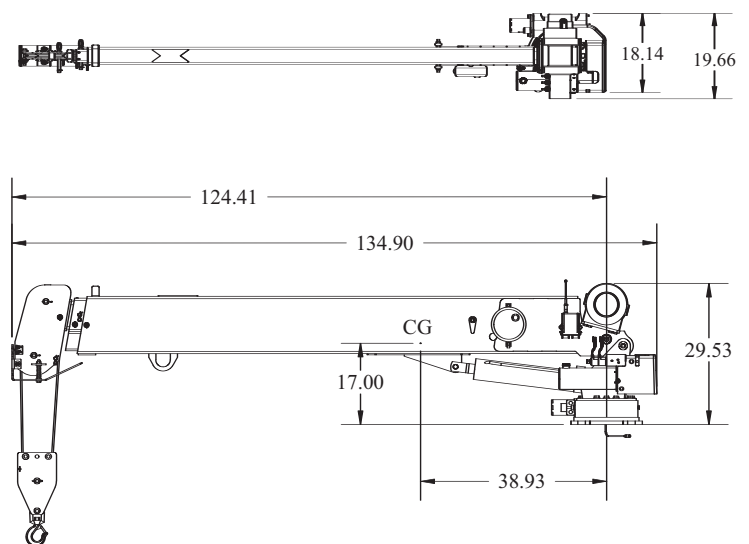
Weight of load handling devices are part of the load lifted and must be deducted from the capacity.

Maximum 1 - part line capacity is 2000 lbs. (905 kg). For greater loads, use 2 - part line.

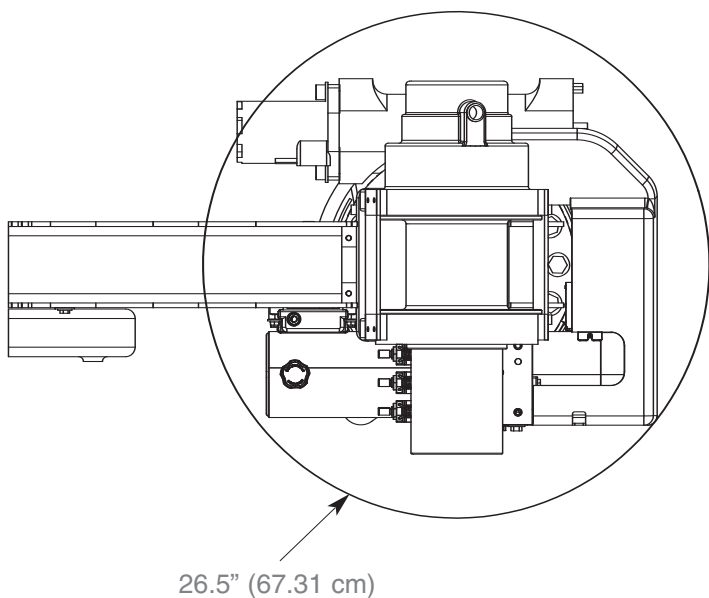
■ GEOMETRIC DIMENSIONS (16' OPTION)



■ GEOMETRIC DIMENSIONS (20' OPTION)

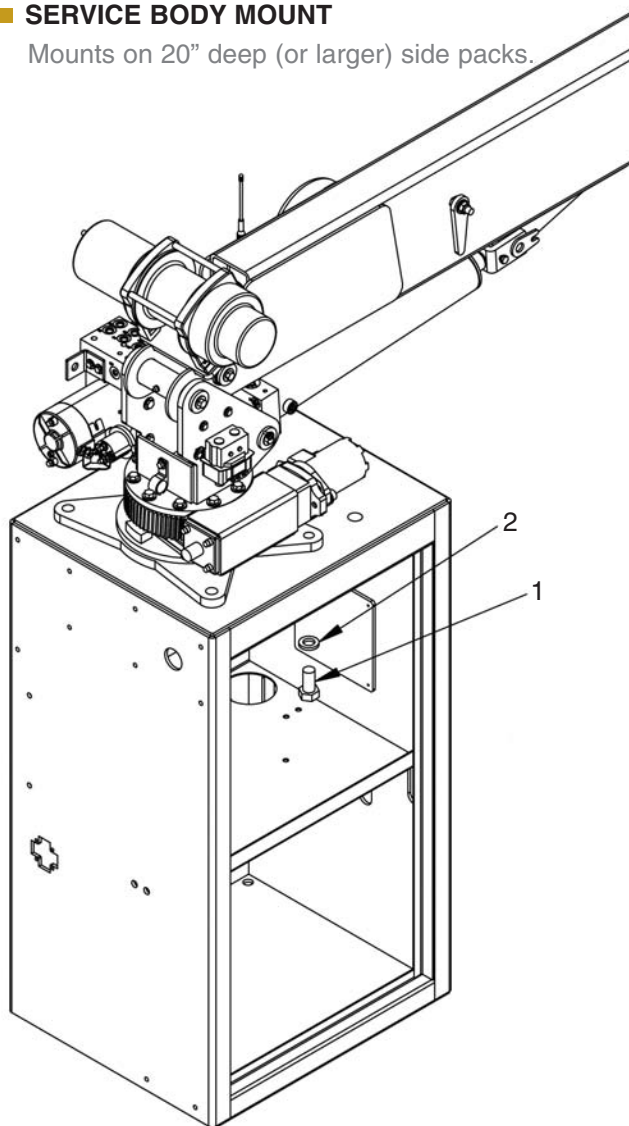


■ **ROTATIONAL CLEARANCE**

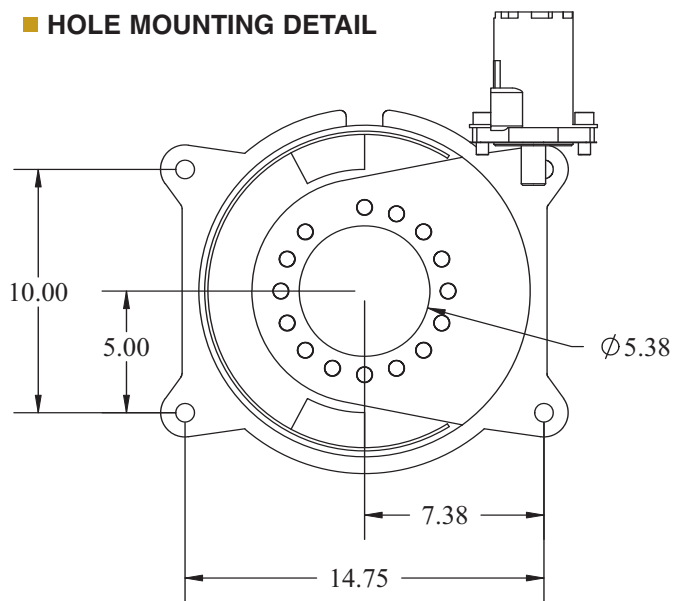


■ **SERVICE BODY MOUNT**

Mounts on 20" deep (or larger) side packs.



■ **HOLE MOUNTING DETAIL**



Item	Part	Description	Qty.
1	42985	Cap Scr 0.88-9x1.75 HHGR8ZY	4
2	8648	Washer 0.88 SAE GR8	4

Your local dealer:



Our People. Our Products.

190 State Street
P.O. Box 169
Garner, IA 50438
Telephone: (641) 923-3741 • (800) 321-3741
Fax: (641) 923-2812
Internet: www.stellarindustries.com
Email: sales@stellarindustries.com