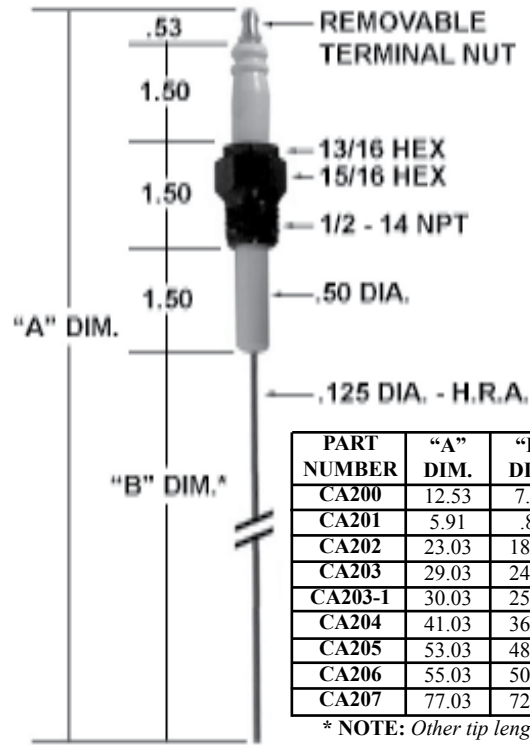


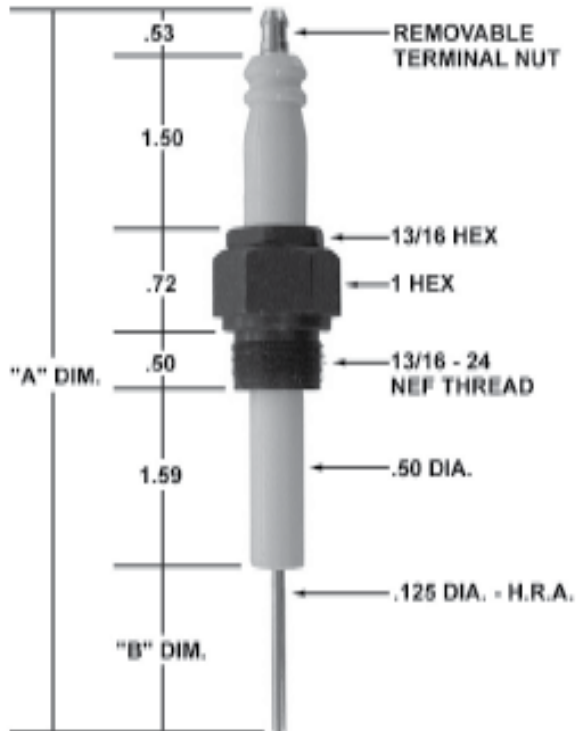
PART NUMBER	"A" DIM.	"B" DIM.	REPLACES
CA190	7.34	4.03	IP-9
CA191	16.31	13.00	IP-9-13
CA192	9.31	6.00	IP-9-6
CA195	27.31	24.00	IP-9-24

\* NOTE: Other tip lengths are available

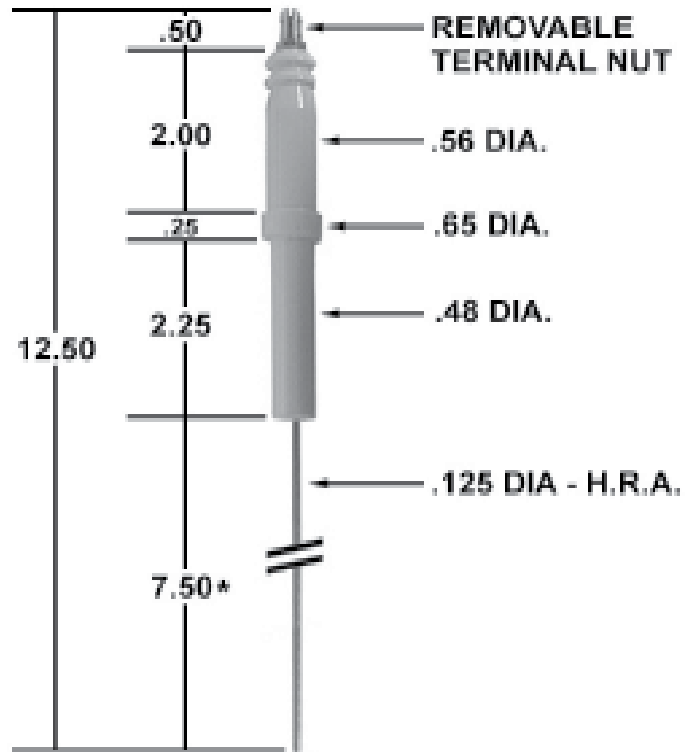


PART NUMBER	"A" DIM.	"B" DIM.	REPLACES
CA200	12.53	7.50	I-18
CA201	5.91	.88	I-18-2.38
CA202	23.03	18.00	I-18-18
CA203	29.03	24.00	I-18-24
CA203-I	30.03	25.00	I-18-25
CA204	41.03	36.00	I-18-36
CA205	53.03	48.00	I-18-48
CA206	55.03	50.00	I-18-50
CA207	77.03	72.00	I-18-72

\* NOTE: Other tip lengths are available



PART NUMBER	"A" DIM.	"B" DIM.	REPLACES
CA210	6.27	1.43	I-18-14
CA211	7.84	3.00	I-18-14-3



CA220

\* NOTE: Other tip lengths are available

Section 3 - Industrial Igniters & Flame Rods