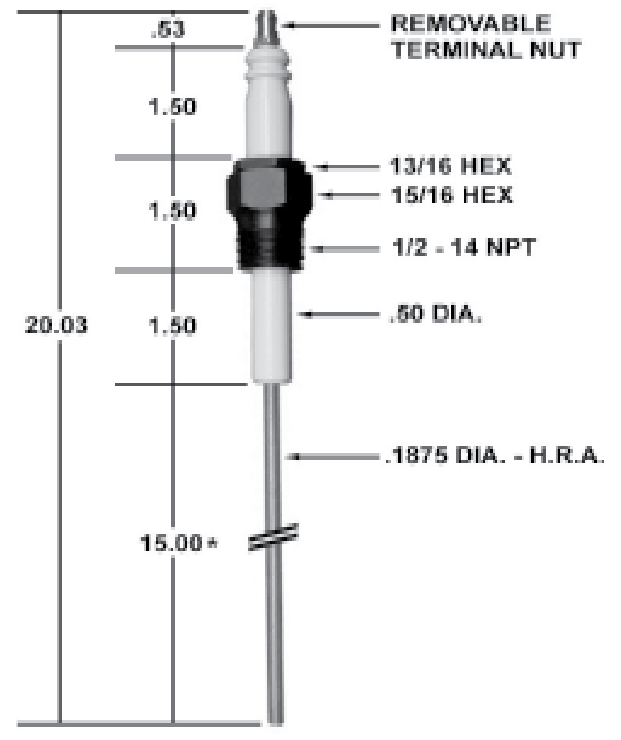
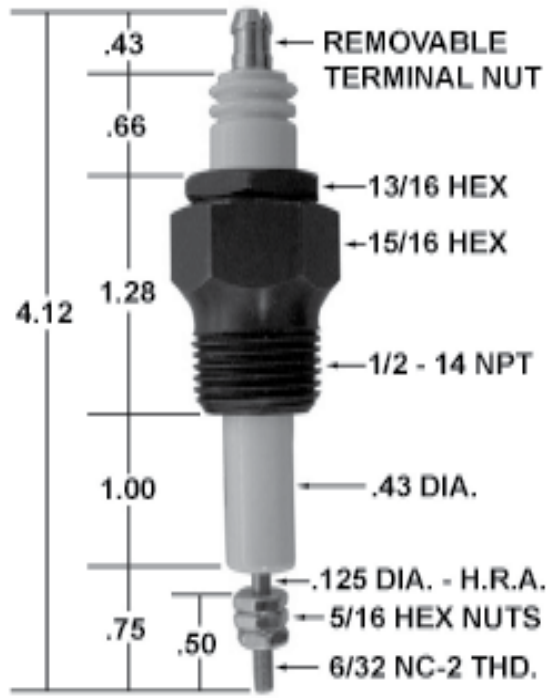


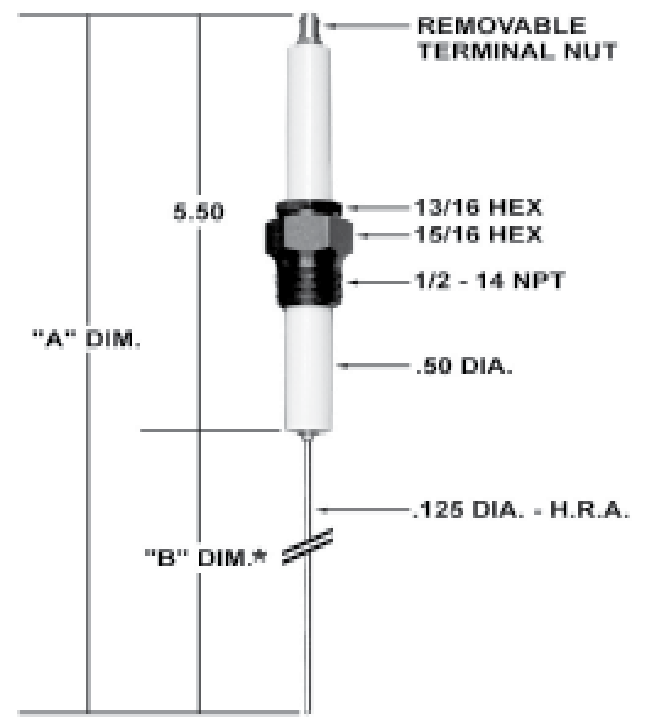
PART NUMBER	"A" DIM.	"B" DIM.	"C" DIM.	REPLACES
CA230	4.32	1.72	.09	I-25
CA231	6.35	3.75	.09	I-25-3
CA232	6.73	3.13	.12	12568
CA233	7.15	4.55	.12	17396
CA235	7.72	5.12	.06	17652



**CA240**  
 Replaces Auburn #: I-18K  
 \* NOTE: Other tip lengths are available



**CA250**  
 Replaces Auburn #: F-68



PART NUMBER	"A" DIM.	"B" DIM.	REPLACES
CA260	12.03	6.00	IP-15
CA262	22.03	16.00	IP-15-16

\* NOTE: Other tip lengths are available