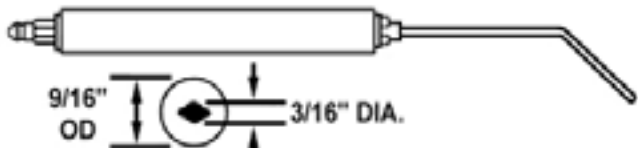
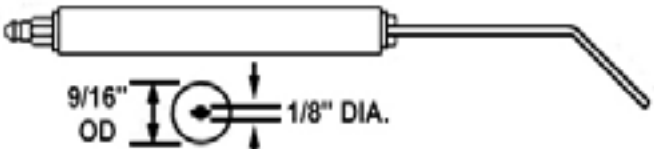


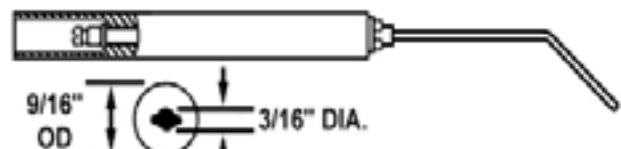
ELECTRODE PART NUMBER	INSULATOR ONLY P/N	LENGTH OF INSULATOR	TYPE OF TIP
01033	11033	3 3/4"	
01040	11040	4"	
01041	11041	4 1/4"	HEAVY
01042	11042	4 1/2"	1/8"
01043	11043	4 3/4"	DIA.
01050	11050	5"	
01060	11060	6"	



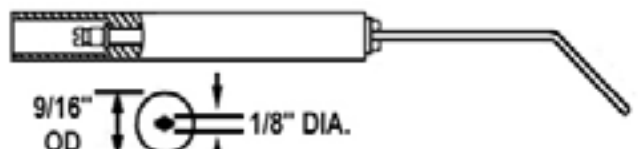
ELECTRODE PART NUMBER	INSULATOR ONLY P/N	LENGTH OF INSULATOR	TYPE OF TIP
05030	15030	3"	
05033	15033	3 3/4"	
05040	15040	4"	LIGHT
05042	15042	4 1/2"	3/32"
05050	15050	5"	DIA.
05052	15052	5 1/2"	
05060	15060	6"	
05070	15070	7"	



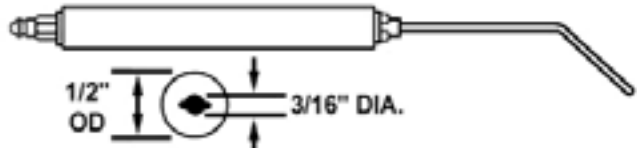
ELECTRODE PART NUMBER	INSULATOR ONLY P/N	LENGTH OF INSULATOR	TYPE OF TIP
02040	12040	4"	
02042	12042	4 1/2"	
02050	12050	5"	HEAVY
02052	12052	5 1/2"	1/8"
02060	12060	6"	DIA.
02070	12070	7"	
02080	12080	8"	
02090	12090	9"	



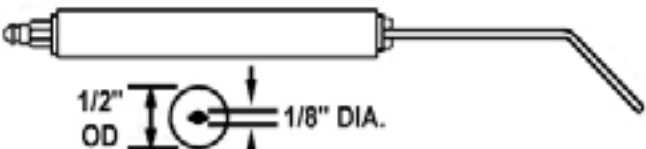
ELECTRODE PART NUMBER	INSULATOR ONLY P/N	LENGTH OF INSULATOR	TYPE OF TIP
06040	16040	4"	
06042	16042	4 1/2"	LIGHT
06050	16050	5"	3/32"
06060	16060	6"	DIA.
06070	16070	7"	



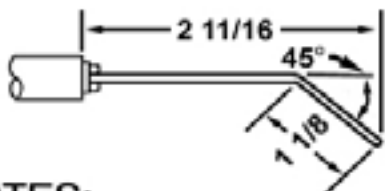
ELECTRODE PART NUMBER	INSULATOR ONLY P/N	LENGTH OF INSULATOR	TYPE OF TIP
03040	13040	4"	HEAVY
03050	13050	5"	1/8"
03060	13060	6"	DIA.



ELECTRODE PART NUMBER	INSULATOR ONLY P/N	LENGTH OF INSULATOR	TYPE OF TIP
09040	19040	4"	
09042	19042	4 1/2"	LIGHT
09050	19050	5"	3/32"
09060	19060	6"	DIA.
09070	19070	7"	
09080	19080	8"	



ELECTRODE PART NUMBER	INSULATOR ONLY P/N	LENGTH OF INSULATOR	TYPE OF TIP
04040	14040	4"	
04042	14042	4 1/2"	HEAVY
04050	14050	5"	1/8"
04052	14052	5 1/2"	DIA.
04060	14060	6"	



NOTES:
 Longer insulator lengths available upon request. Tips can be supplied straight and in standard length of 3". Longer lengths can be supplied upon request. Add the letter S, after the electrode part number, when ordering the straight electrode.
 Insulators packaged 2, 10 or 25 to a box. Add a — (dash) and the number 2, 10 or 25 to insulator P/N when ordering insulators.