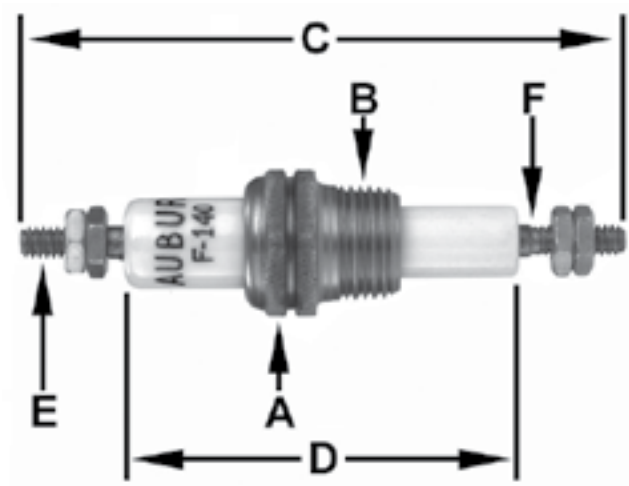




Champion Spark Plugs

Crown Part Number	Thread Size	Crown Part Number	Thread Size
25	14 MM	K97F	18 MM
CJ8	14 MM	*K98F	OBSOLETE
D23	18 MM	RJ12YC	14 MM
D89D	18 MM	RL87YC	14 MM
D9	18 MM	RN13LYC	14MM
ED-89D	18 MM	UD16	18 MM
F-121501	14 MM	UY6	10 MM
F-121502	14 MM	W18	7/8" - 18
F-121503	14 MM	W89D	7/8" - 18
F-121507	14 MM	W95D	7/8" - 18
H-14-Y	14 MM	Z6	10 MM
J99	14 MM	Z9Y	10 MM

***NOTE:** K97F replaces K98F



Electric Feed-throughs

Auburn electric feed-throughs are used in oil and gas filled transformers and switching equipment.

Additional applications include terminals and overloads in hermetic air conditioning and refrigeration compressors, explosion proof electric motors, generators, autoclaves, and centrifugal and submersible pumps.

They are compact and their one piece design assures positive electrical and leak-proof connection into the pressure vessel.

AUBURN ELECTRIC FEED THROUGHS

Part Number	Dimensions						Conductor Material	Current Rating	Flash Over	Max. Operating Temperature
	A	B	C	D	E	F				
F-140	13/16" S/S	3/8" - 18	3.57	2.33	10 - 24	3/16" DIA	KOVAR	30 AMPS	8 KV	600° F
F-150	13/16" S/S	5/8" - 24	3.57	2.33	10 - 24	3/16" DIA	KOVAR	30 AMPS	8 KV	600° F
F-200-1H	13/16" CAD	3/8" - 18	4.45	2.71	1/4" - 20	1/4" DIA	BRASS	105 AMPS	8 KV	200° F
F-210-1H	13/16" CAD	3/8" - 18	4.45	2.71	1/4" - 20	1/4" DIA	COPPER	175 AMPS	8 KV	200° F
F-220-1	13/16" CAD	5/8" - 18	4.45	2.71	1/4" - 20	1/4" DIA	BRASS	105 AMPS	8 KV	200° F
F-230-1H	13/16" CAD	5/8" - 18	4.45	2.71	1/4" - 20	1/4" DIA	COPPER	175 AMPS	8 KV	200° F
F-220-1B	13/16" CAD	5/8" - 18	4.20	2.71	1/4" - 20	1/4" DIA	BRASS	105 AMPS	8 KV	200° F
F-240LLH	7/8" CAD	1/2" - 14	5.17	3.67	1/4" - 20	1/4" DIA	BRASS	105 AMPS	14 KV	200° F
F-250LLH	7/8" CAD	1/2" - 14	5.17	3.67	1/4" - 20	1/4" DIA	COPPER	175 AMPS	14 KV	200° F
F-310-H	1-1/8" CAD	3/4" - 14	5.23	3.23	3/8" - 16	3/8" DIA	COPPER	275 AMPS	12 KV	200° F
F-610	1-3/8" CAD	1" - 11 1/2	5.91	3.17	5/8" - 11	5/8" DIA	COPPER	750 AMPS	8 KV	200° F
F-630	1-3/8" CAD	1" - 11 1/2	7.68	3.67	5/8" - 11	5/8" DIA	COPPER	750 AMPS	10 KV	200° F
F-670	1-3/8" CAD	1" - 11 1/2	6.92	3.67	5/8" - 11	5/8" DIA	COPPER	750 AMPS	10 KV	200° F
F-690	1-3/8" CAD	1" - 11 1/2	8.29	3.17	5/8" - 11	5/8" DIA	COPPER	750 AMPS	8 KV	200° F