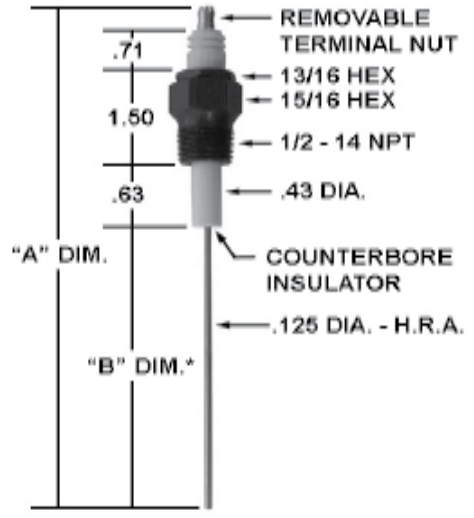


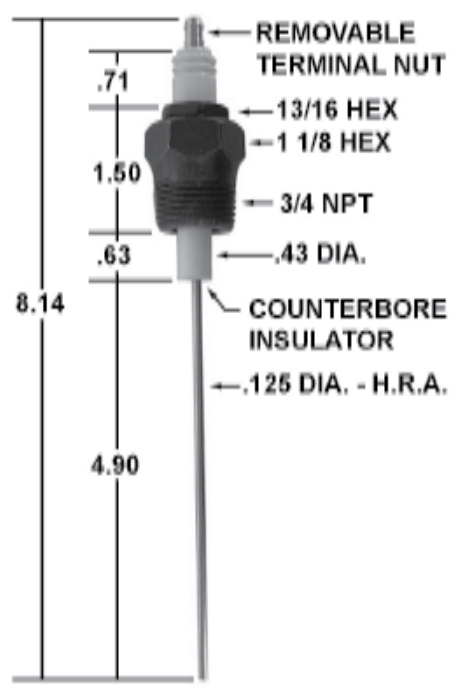
PART NUMBER	"A" DIM.	"B" DIM.	REPLACES
CA120	8.00	4.50	I-2 INS
CA121	15.50	12.00	I-2-1 INS
CA122	27.50	24.00	I-2-2 INS

* NOTE: Other tip lengths are available

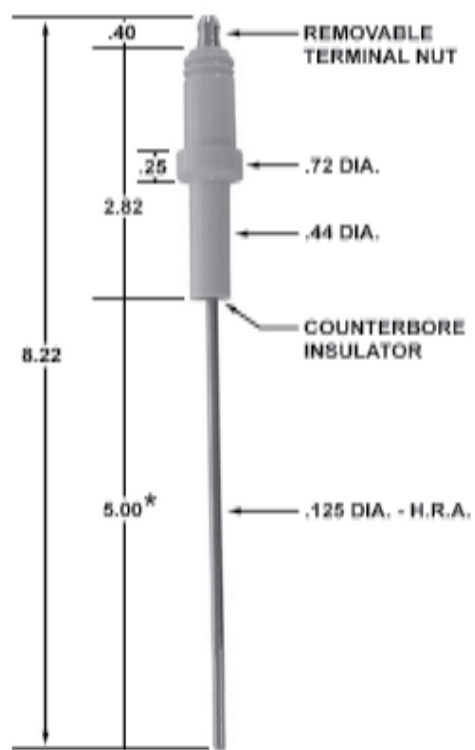


PART NUMBER	"A" DIM.	"B" DIM.	REPLACES
CA140	8.14	4.90	I-6
CA141	9.24	6.00	I-6-6
CA142	15.24	12.00	I-6-12
CA143	21.24	18.00	I-6-18
CA144	27.24	24.00	I-6-24
CA145	38.24	35.00	I-6-35
CA146	51.24	48.00	I-6-48
CA154	3.99	0.75	I-6 SPEC.

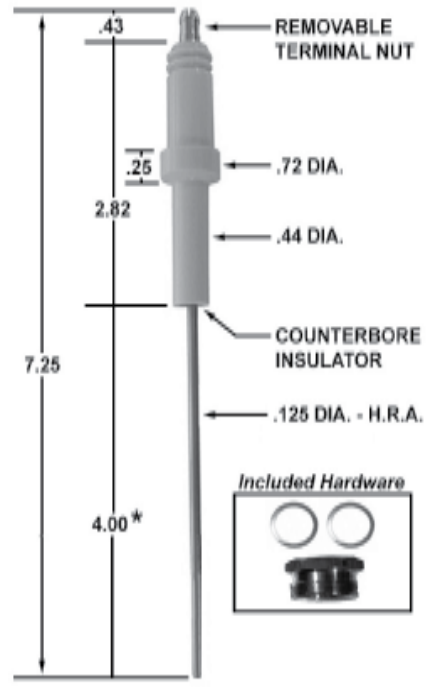
* NOTE: Other tip lengths are available



CA155
Industrial Igniter - Special
 * NOTE: Other tip lengths are available



CA160
Replaces Auburn #: I-6 INS
 * NOTE: Other tip lengths are available



CA180
Replaces Auburn #: IA-9
 * NOTE: Other tip lengths are available