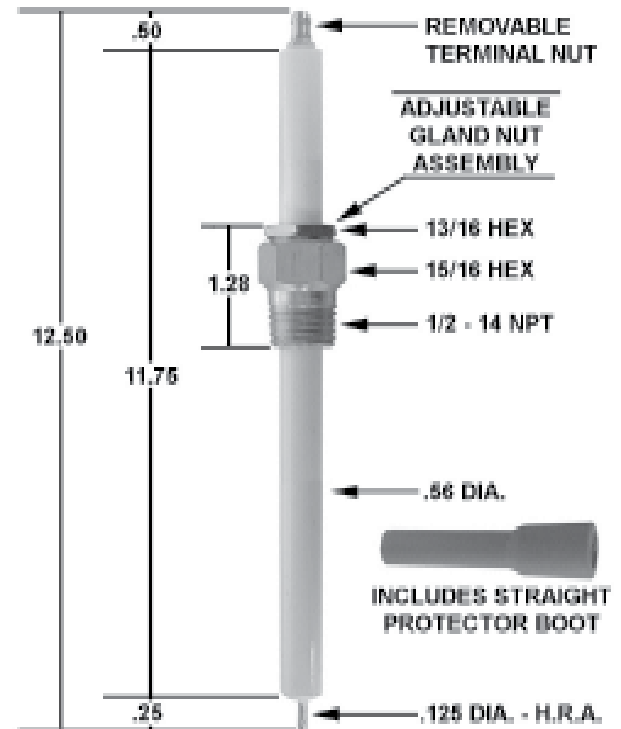
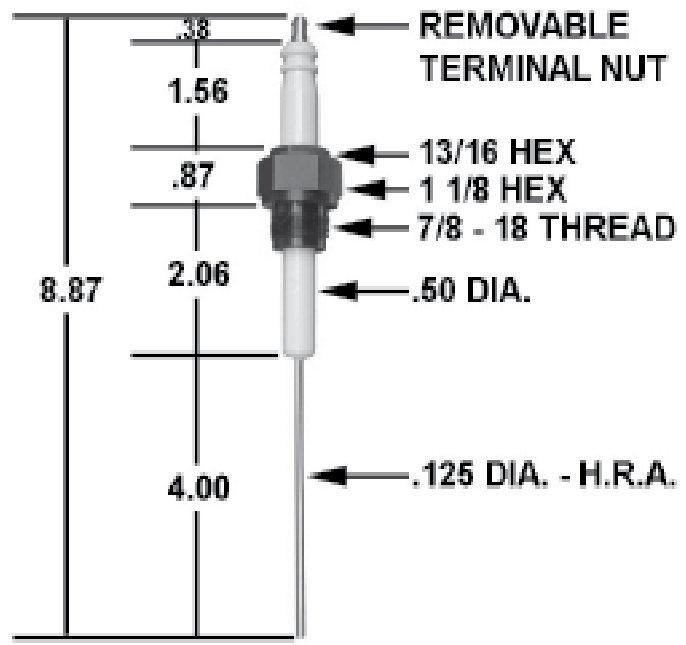


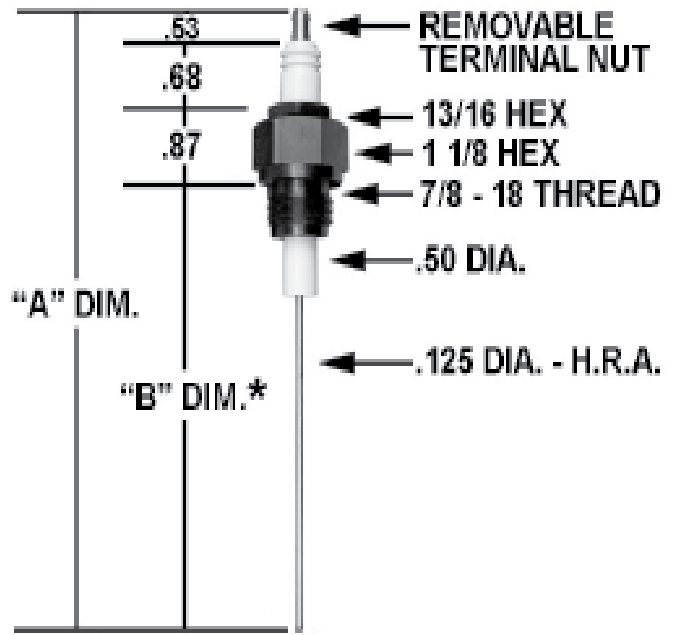
PART NUMBER	"A" DIM.	REPLACES
CA540	6.00	ECLIPSE 14265-1
CA541	12.00	ECLIPSE 14265-2
CA542	18.00	ECLIPSE 14265-3
CA543	24.00	ECLIPSE 14265-4



**CA566**  
 Replaces Eclipse #: 42148/45979  
 \* NOTE: Other tip lengths are available



**CA607**  
 Replaces Auburn #: IC-10  
 \* NOTE: Other tip lengths are available



PART NUMBER	"A" DIM.	"B" DIM.	REPLACES
CA611	7.24	5.16	IC-9
CA625	3.98	1.90	1-78

\* NOTE: Other tip lengths are available