



PROTECTOR BOOT		
USED ON	CATALOG NO.	MATERIAL
Flame Rods	022046	Black Silicone

**SPECIFICATIONS:**  
 Overall length: 2 3/8"  
 Top ID: 1/4"  
 Bottom ID: 1/2"  
 Temp Rating: 300 Degrees Fahrenheit

**022046**

“SI” Series Protector Boot



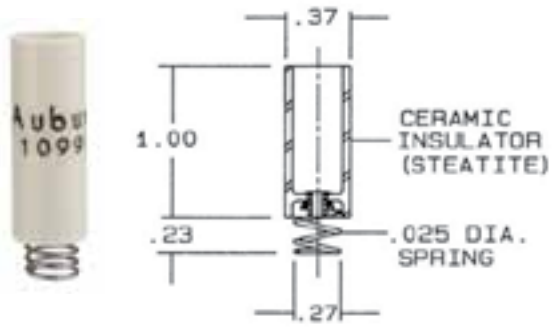
**50741**

90 Degree Silicone Boot - Black  
 450° F Max. temperature rating  
 For use with 7mm wire

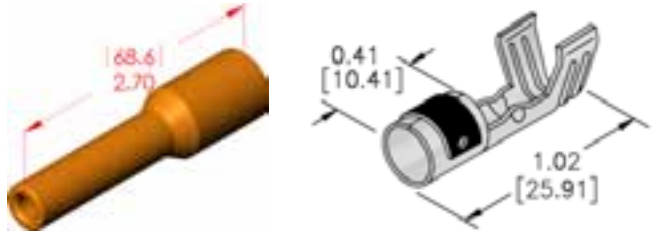


**50742**

90 Degree Silicone Boot - Grey  
 450° F Max. temperature rating  
 For use with 7mm wire

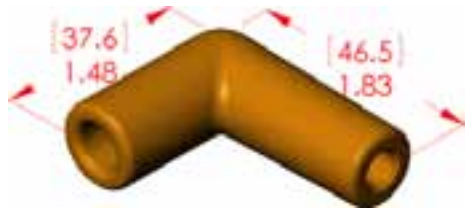


**1099-C / Ceramic terminal connector**



**50743**

Straight Silicone Boot - orange with terminal  
 450° F Max. temperature rating  
 For use with 7mm wire



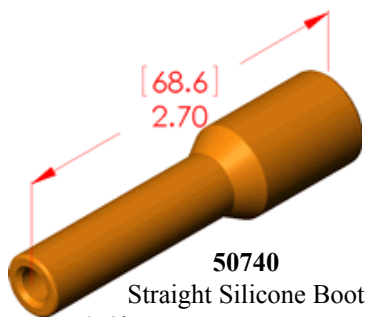
**50739**

90 Degree Silicone Boot - Orange  
 450° F Max. temperature rating  
 For use with 7mm wire



**50744**

90 Degree Silicone Boot - orange - with terminal  
 450° F Max. temperature rating  
 For use with 7mm wire



**50740**

Straight Silicone Boot  
 450° F Max. temperature rating  
 For use with 7mm wire



**50745**

Straight Ceramic Boot with terminal  
 1000° F Max. temperature rating  
 Fore use with 7mm wire