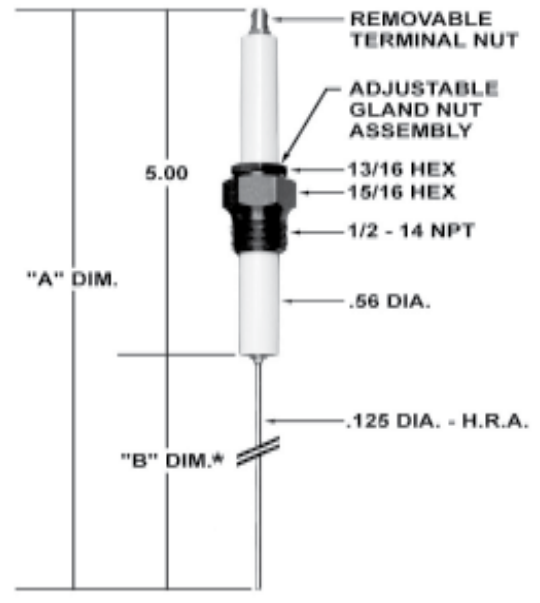


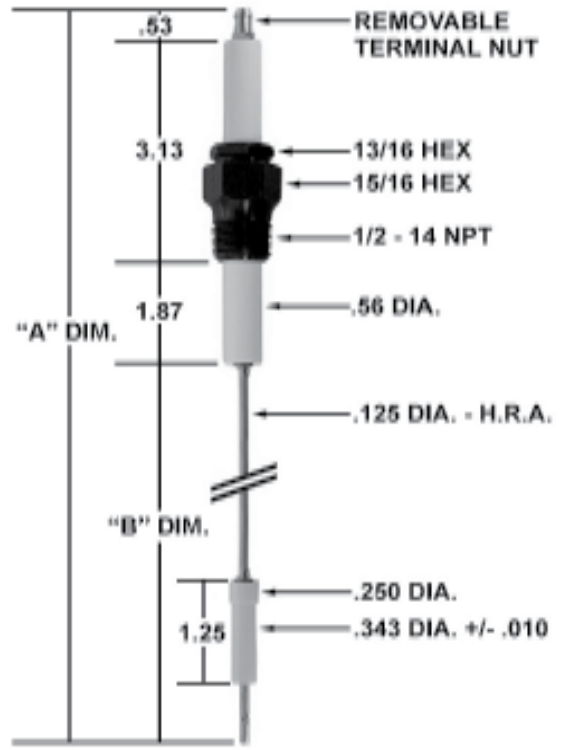
PART NUMBER	"A" DIM.	"B" DIM.	REPLACES
CA270	12.00	6.00	IA-15
CA280	11.21	5.21	IA-15-1

* NOTE: Other tip lengths are available

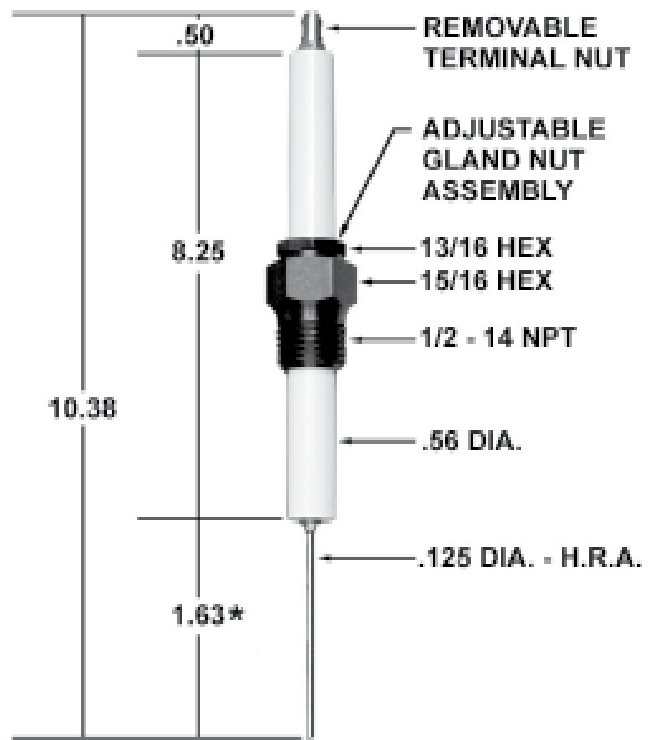


PART NUMBER	"A" DIM.	"B" DIM.	REPLACES
CA290	8.50	3.00	IP-16
CA291	11.50	6.00	IP-16-6
CA293	29.50	24.00	IP-16-24
CA294	35.50	30.00	IP-16-30
CA303	18.50	13.00	IP-16-13

* NOTE: Other tip lengths are available



PART NUMBER	"A" DIM.	"B" DIM.	REPLACES
CA304	18.78	13.25	IP-16-EI
CA305	11.75	6.25	IP-16-EI-1



CA310
 Replaces Auburn #: IP-17
 * NOTE: Other tip lengths are available

Section 3 - Industrial Igniters & Flame Rods