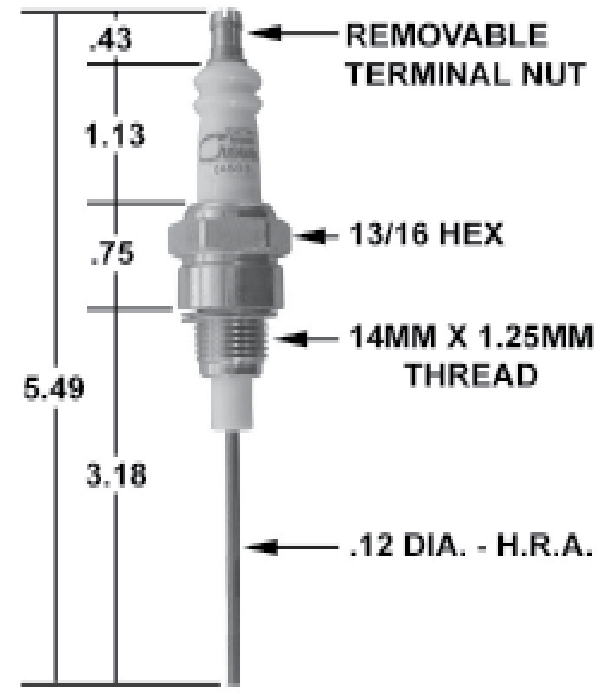
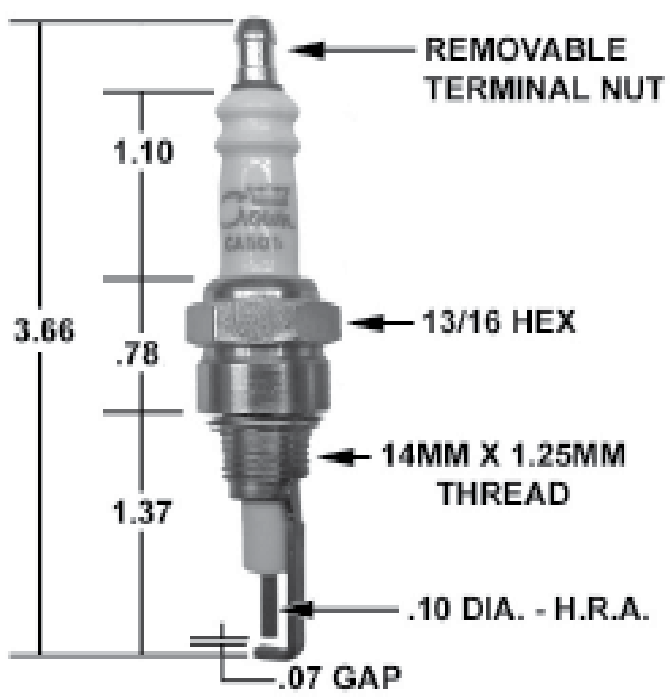




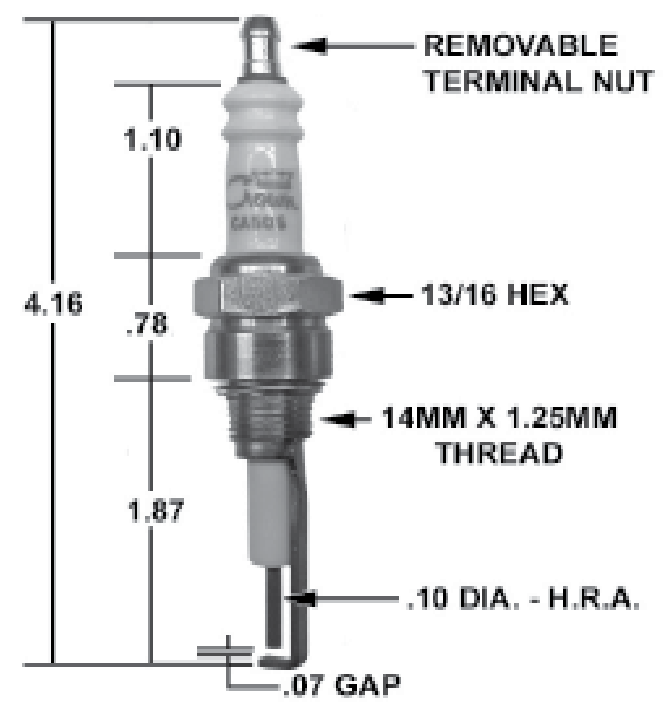
**CA502**  
 Replaces Auburn #: I-102



**CA503**  
 Replaces Auburn #: I-143



**CA505**  
 Replaces Auburn #: I-31



**CA506**  
 Replaces Auburn #: I-31-1

**Section 3 - Industrial Igniters & Flame Rods**