

AC-630 Diaphragm Meter



Capacities:

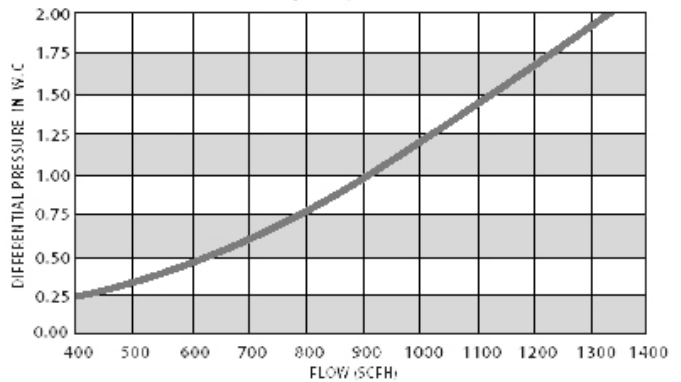
Rated Gas Capacity for 0.60 S.G. Natural Gas		
Inlet Pressure PSIG	Inches W.C. Differential	Capacity SCFH
.25	1/2"	630 ^{1, 2}
.25	2"	1320
1	2"	1340
2	2"	1390
5	2"	1515
10	2"	1710
15	2"	1890
20	2"	2010
25	2"	2160

1 - Propane- 397 cfh
2 - Butane - 347 cfh

Features:

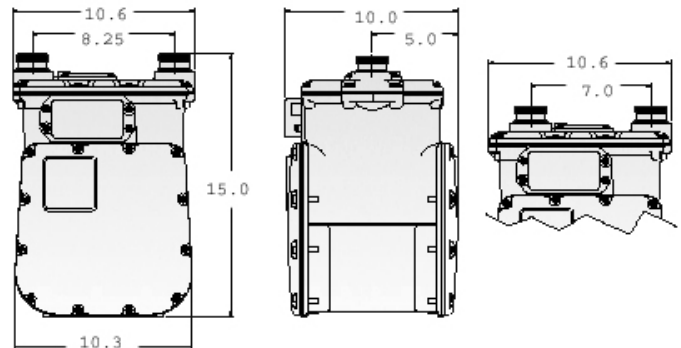
- Convuluted Diaphragms
- Unique valve design
- Smaller meter profile
- Superior corrosion resistance
- Regular or TC tangent
- Automatic meter reader compatibility
- Permanently lubed bearings
- Temperature compensation available from -30°F to 140°F
- 10 (std.) or 25 (opt.) PSIG MAOP
- Full warranty
- 20 LT, 30 LT, 45 LT and #3-4 Sprague Hubs with 1 1/4" NPTM Swivels
- Pointer or odometer index

AC-630 Capacity Curve @ .25 Inlet



Dimensions:

Weight	21 lbs
Connection to Connection	8 1/4"
Height	15.0"
Width	10.6"
Depth	10.0"



ISTEC CORPORATION
 5 Park Lake Road, Sparta, NJ 07871
 973 383 9888 (Phone)
 973 383 9088 (Fax)
 Email: sales@istec-corp.com
 Web: www.istec-corp.com

ISTEC
 Flow Measurement & Control