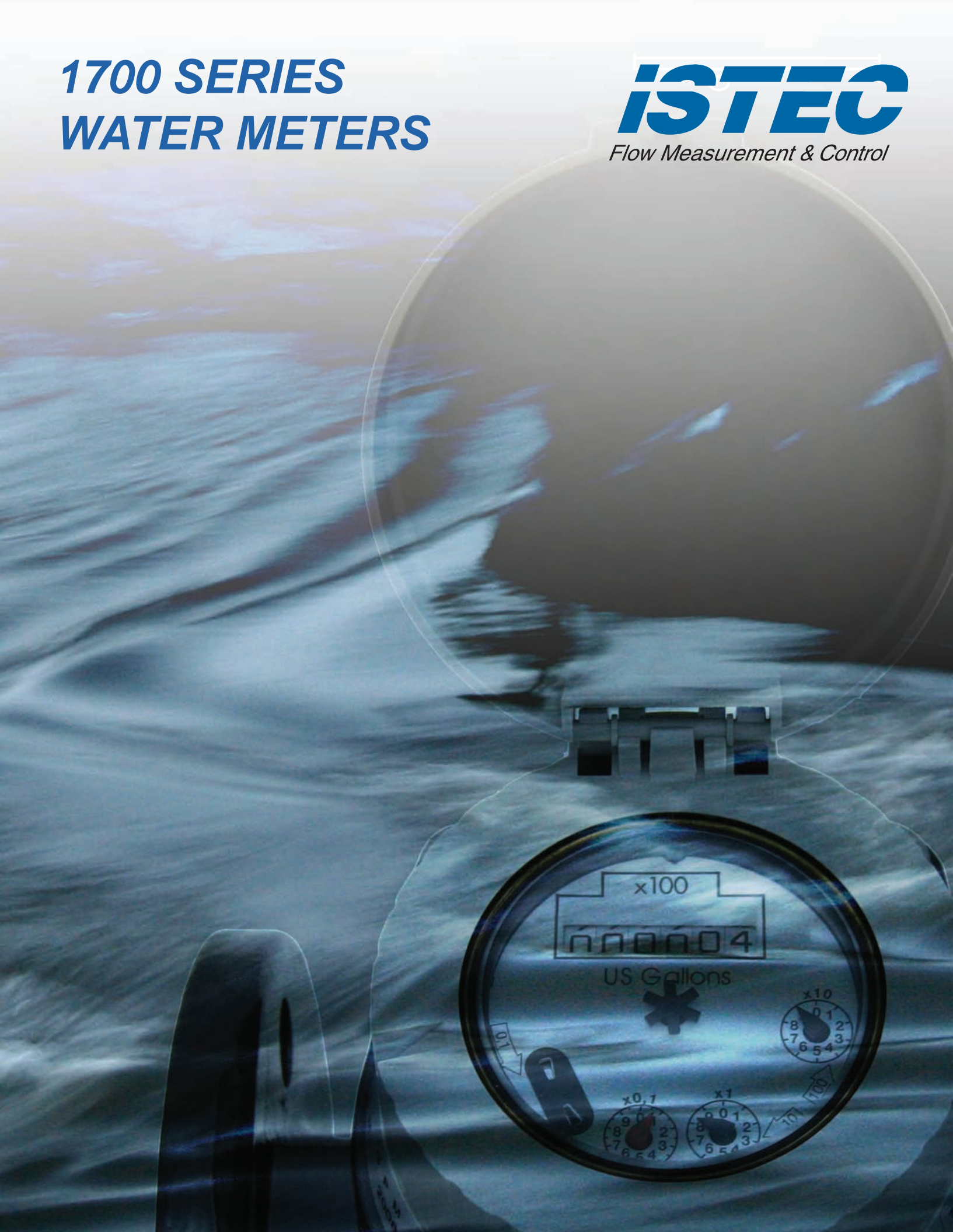


# 1700 SERIES WATER METERS

# ISTEC

*Flow Measurement & Control*



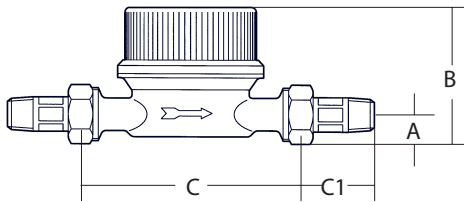
# ISTEC's 1700 Series Single-Jet Water Meter in 1/2" & 3/4"



- Single Jet Design with only the impeller in the flow chamber for reliable performance
- Economical Design and long lasting life
- Tamper Proof "Snap" Cover assures accurate and proper readings
- The roller counter can be rotated for easy reading
- "Dry Counter" design
- Units available with a pulse output
- Compact design for easy installation
- The meter can be mounted horizontally or vertically

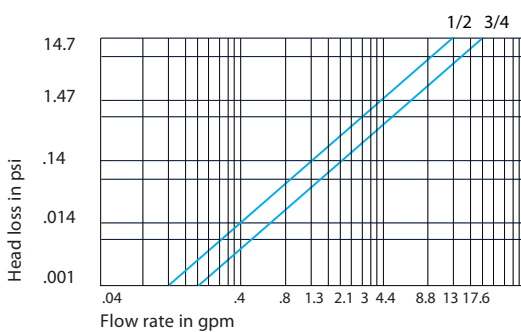
Model Number	1700	1702	1710	1712
Pipe Size	1/2"	1/2"	3/4"	3/4"
Minimum Flow Rate (GPM)	0.13	0.13	0.22	0.22
Continuous Flow Rate (GPM)	6.6	6.6	11	11
Maximum Flow Rate (GPM)	13	13	20	20
Maximum Operation Temperature (F)	200	200	200	200
Maximum Operation Pressure (PSI)	150	150	150	150
Design	Single Jet	Single Jet	Single Jet	Single Jet
Mounting Connections	NPT	NPT	NPT	NPT
Mounting Position	Any			
Pulse (gal/pulse)	NO	1	NO	1
Weight (pounds)	1.1	1.1	1.4	1.4

## Dimensional Data

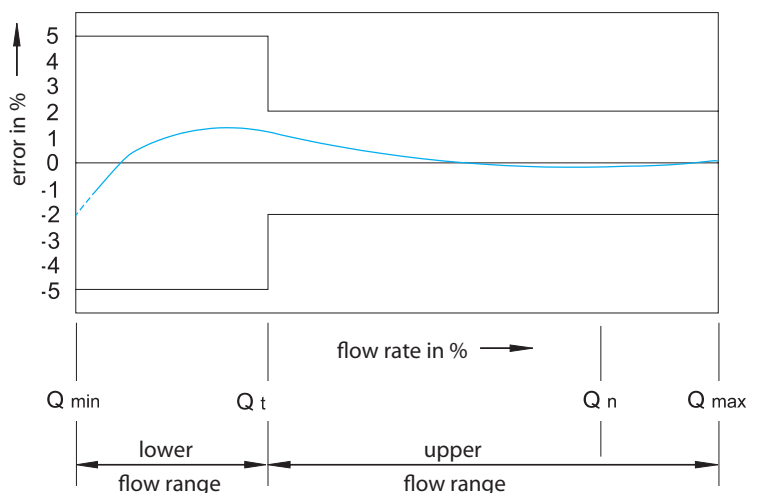


Dimensions	1700	1702	1710	1712
Pipe Size	1/2"	1/2"	3/4"	3/4"
A	3/4"	3/4"	7/8"	7/8"
B	2"	2"	3-5/8"	3-5/8"
C	4-15/16"	4-15/16"	5-1/8"	5-1/8"
C1	2-3/8"	2-3/8"	2-1/2"	2-1/2"

## Head Loss



## Accuracy Graph



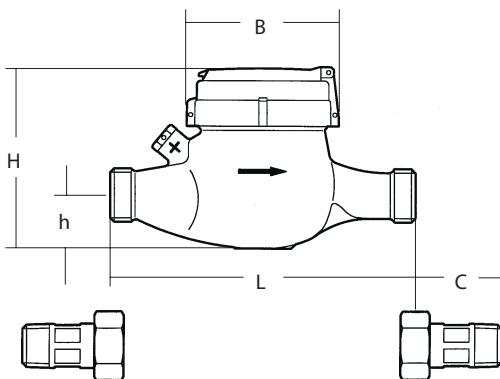
# ISTEC's 1700 Series Multi-Jet Water Meter in 1" through 1-1/2"



- Multi-Jet Design with only the Impeller operating in the flow chamber for reliable performance
- No straight pipe required before or after the meter
- Dry Counter is not effected by dust and moisture
- Non-slip ferrite magnetic coupling
- Compact design for easy installation
- The compact design simplifies maintenance and repair by installing a complete flow chamber
- Calibration test certification available on request

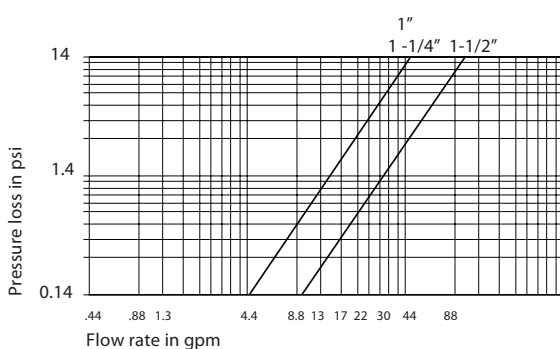
Model Number	1720	1730	1740
Pipe Size	1"	1-1/4"	1-1/2"
Minimum Flow Rate (GPM)	0.5	0.5	0.8
Continuous Flow Rate (GPM)	26.4	26.4	44
Maximum Flow Rate (GPM)	50	50	90
Maximum Operation Temperature (F)	200	200	200
Maximum Operation Pressure (PSI)	150	150	150
Design	Multi-Jet	Multi-Jet	Multi-Jet
Mounting Connections	NPT	NPT	NPT
Mounting Position	Horizontal		
Pulse (gal/pulse)	NO	NO	NO
Weight (pounds)	5.5	5.5	12

## Dimensional Data

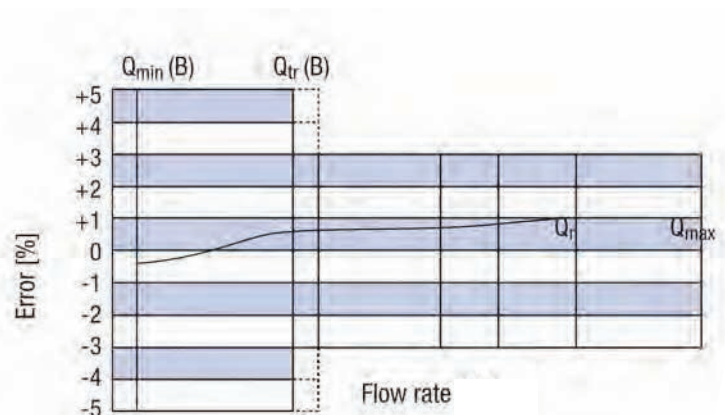


Model Number	1720	1730	1740
Pipe Size	1"	1-1/4"	1-1/2"
L (Body)	10-1/4"	10-1/4"	11-3/4"
C (NPT)	2-5/8"	2-7/8"	2-7/8"
B (Width)	3-5/8"	3-5/8"	4-3/4"
H (Height)	3-5/8"	3-5/8"	3-5/8"
h (Height)	1-7/8"	1-7/8"	1-7/8"

## Head Loss



## Accuracy Graph



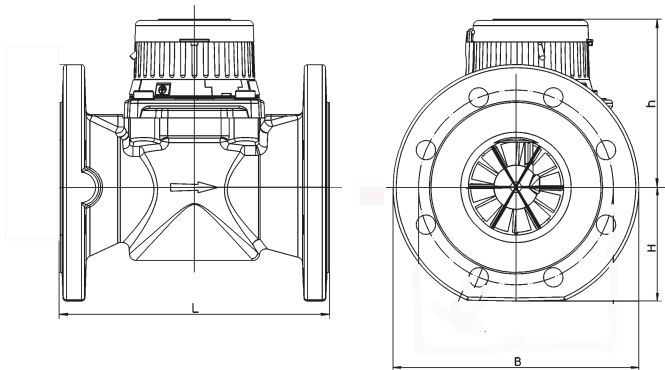
# ISTEC's 1700 Series 2" Woltmann Design Water Meter



- Woltmann Flow Chamber Design with only the Impeller operating in the flow chamber
- Very low head pressure loss
- For warm water to 200F
- Operating pressure to 227 PSI
- Installation in the Horizontal or Vertical position
- Hermetically Sealed Counter is dust and waterproof preventing internal condensation
- The roller counter can be rotated for easy reading
- The built-in optional reed switch is cast into a waterproof enclosure and can be field replaced
- Compact design for easy installation
- Unique design simplifies maintenance and repair
- Calibration test certification available on request

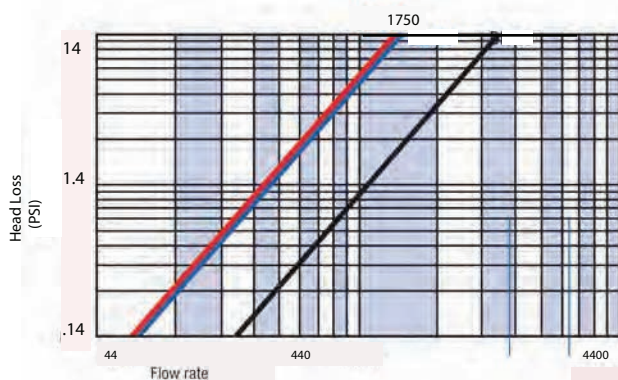
Model Number	1750	1752
Pipe Size	2"	2"
Minimum Flow Rate (GPM)	1.54	1.54
Continuous Flow Rate (GPM)	132	132
Maximum Flow Rate (GPM)	396	396
Maximum Operation Temperature (F)	200	200
Maximum Operation Pressure (PSI)	227	227
Design	Woltmann	Woltmann
Mounting Connections	Flanged	
Mounting Position	Any	
Pulse (gal/pulse)	NO	10/P
Weight (pounds)	22.5	22.5

## Dimensional Data



Dimensions	1750 / 1752
<b>D</b>	<b>2"</b>
<b>B</b>	<b>6-1/8"</b>
<b>L</b>	<b>7-7/8"</b>
<b>H</b>	<b>2-7/8"</b>
<b>h</b>	<b>4-7/8"</b>

## Head Loss



## Accuracy Graph

