

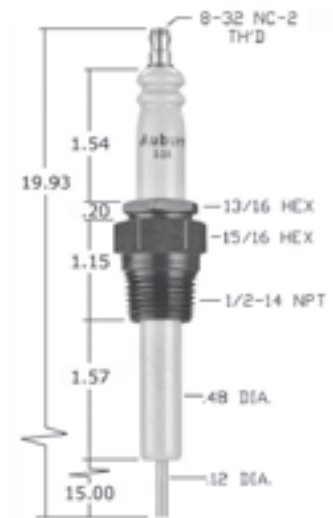


I-181



I-182 SERIES

PART NUMBER	"A" DIM	"B" DIM	"C" DIM
I-182	3.43	1.12	.06
I-182-1	3.53	1.25	.19



I-18K

NOTE: Crown generic available: CA240

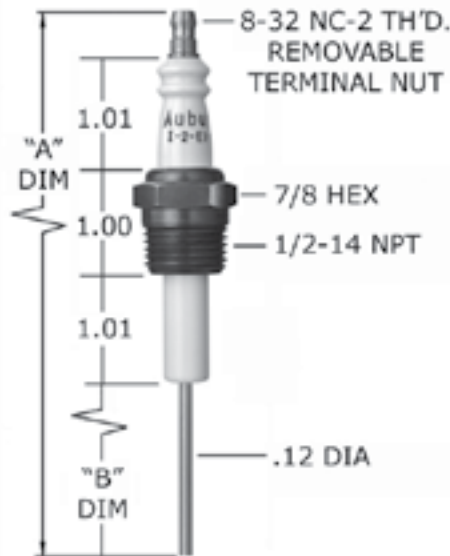


I-2 SERIES

PART NUMBER	"A" DIM	"B" DIM
I-2	8.00	4.50
I-2-1	15.50	12.00
I-2-2	27.50	24.00

I-2 SERIES

NOTE: Crown generic available:
CA100 thru CA102



I-2-EI SERIES

PART NUMBER	"A" DIM	"B" DIM
I-2-EI-1	11.50	7.94
I-2-EI-2	19.00	15.53

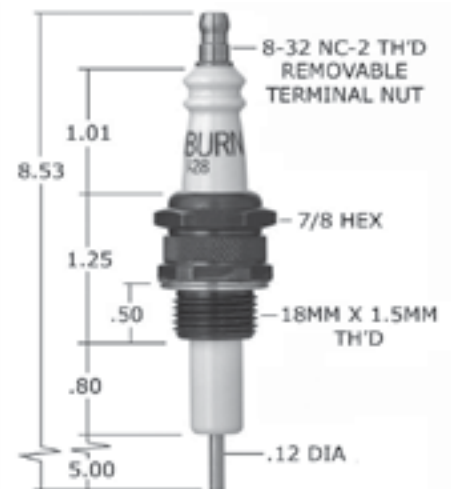
I-2-EI-1 & I-2-EI-2

NOTE: Crown generic available:
CA108 & CA109



I-25

NOTE: Crown generic available: CA230



I-28