

RPLF4A SERIES

Lead Free Reduced Pressure Valves

APOLLOXPRESS™

DESCRIPTION:

The APOLLOXPRESS™ Model RPLF4A Series Lead Free* Reduced Pressure Backflow Preventers with Press end connections provide maximum protection against back-siphonage or backpressure from substances that are hazardous to the potable water supply. The top accessed modular check valve cartridges provide captured springs, replaceable seats and reversible silicone seat discs. This **Made in America / 5 year factory warranty** assembly features ApolloXpress™ ball valves with stainless steel handles and trim and Leak Before Press® technology.

FEATURES:

- Fast, Reliable, Economical Press Installation
- Ridgid® XL Press Tool Compatible
- Leak Before Press® Technology
- Low pressure loss
- Easily removable modular check valve cartridge
- Captured stainless steel springs
- Top-mounted test cocks for easy testing
- Modular Relief Valve
- ApolloXpress™ ball valves w/ SS handles & nuts standard
- No special tools required for servicing
- **Made in USA**, ARRA Compliant

PERFORMANCE RATING:

- Maximum Working Pressure 175 psi
- Temperature Range 33 ° F – 180 ° F

APPROVALS:

- ASSE 1013 - Horizontal (1/2" - 2"),
- CSA B.64.4 - Horizontal (1/2" - 2")
- USC FCC&HR – Consult factory for details
- ANSI 3rd Party Approval to 0.25% Lead Max.

MATERIAL SPECIFICATIONS:

Part Name	Material
Body, Caps, Ball Valve Shutoffs, Test cocks	Bronze C89836 Lead Free*
Check Valve Cartridges	Glass-Filled PPO
Springs	300 Series Stainless Steel
Seat Discs	Chloramine-resistant Silicone
O-rings	Chloramine-resistant EPDM

AIR GAP DEVICES

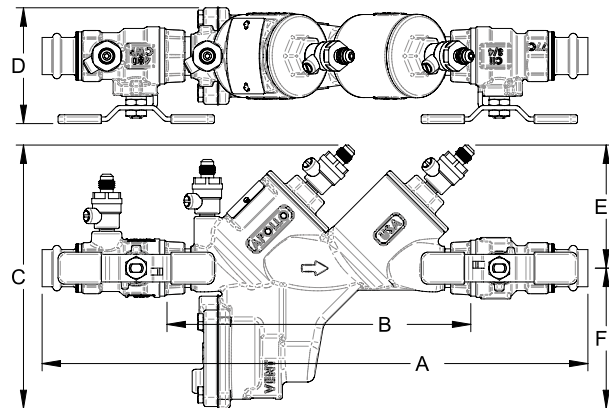
- AGD4A1 (1/2" – 1")
- AGD4A112 (1-1/4" – 1-1/2")
- AGD4A2 (2")

* **LEAD FREE:** The wetted surfaces of this product shall contain no more than 0.25% lead by weighted average. Complies with CA AB1953, VT Act 193, MD HB372, LA HB471 and Federal Public Law 111-380. ANSI 3rd party approved and listed.



DIMENSIONS (IN)

Part Number	Size	A	B	C	D	E	F	Wt (lbs)
4ALF203T2FPR	1/2"	13	7-3/8	7-1/8	2-7/8	3-1/4	3-7/8	7.4
4ALF204T2FPR	3/4"	14-7/8	8-1/2	7-3/8	3-1/8	3-1/2	3-7/8	9.0
4ALF205T2FPR	1"	16-7/8	9-1/2	8	3-1/4	4	4	13.0
4ALF206T2PR	1-1/4"	21-1/8	11-3/4	9-7/8	5-1/8	4-1/2	5-3/8	19.1
4ALF207T2PR	1-1/2"	22	11-5/8	9-7/8	5-1/8	4-1/2	5-3/8	22.5
4ALF208T2PR	2"	24-3/4	12-3/4	11	5-7/8	5	6	34.6



MODEL NUMBERING SYSTEM

4A	XX	- 2	0	X	-T2	F	XX	OPTIONS
Material	Size							
Blank - Standard	3 - 1/2"					Blank -	PR - ApolloXpress	
LF - Lead Free	4 - 3/4"					NPT Testcock		
	5 - 1"					(1-1/4" x 2")		
	6 - 1-1/4"					F -		
	7 - 1-1/2"					SAE Testcock		
	8 - 2"					(1/2" - 1")		

For additional information, submittal sheets and manuals, visit www.apollovalves.com

