

RP4A SERIES

Reduced Pressure Valves

DESCRIPTION:

The APOLLOXPRESS™ Model RP4A series Reduced Pressure Backflow Preventers with Press end connections provide maximum protection against back-siphonage or backpressure from substances that are hazardous to the potable water supply. The top accessed modular check valve cartridges provide captured springs, replaceable seats and reversible silicone seat discs. This **Made in America / 5 year factory warranty** assembly features ApolloXpress™ ball valves with stainless steel handles and trim as standard and Leak Before Press® technology.

FEATURES:

- Fast, Reliable, Economical Press Installation
- Ridgid® XL Press Tool Compatible
- Leak Before Press® Technology
- Low pressure loss
- Easily removable modular check valve cartridge
- Captured stainless steel check springs
- ApolloXpress® ball valves w/ SS handles & nuts standard
- Top-mounted test cocks for easy testing
- Modular Relief Valve
- No special tools required for servicing
- **Made in USA**, ARRA Compliant

PERFORMANCE RATING:

- Maximum Working Pressure 175 psi
- Temperature Range 33 ° F – 180 ° F

APPROVALS:

- ASSE 1013 - Horizontal (1/2" - 2"),
- CSA B.64.4 - Horizontal (1/2" - 2")
- USC FCCC&HR – Consult factory for details

MATERIAL SPECIFICATIONS:

Part Name	Material
Body, Caps, Ball Valve Shutoffs, Test cocks	Cast Bronze C84400
Check Valve Cartridges	Glass-Filled PPO
Springs	300 Series Stainless Steel
Seat Discs	Chloramine-resistant Silicone
O-rings	Chloramine-resistant EPDM

AIR GAP DEVICES

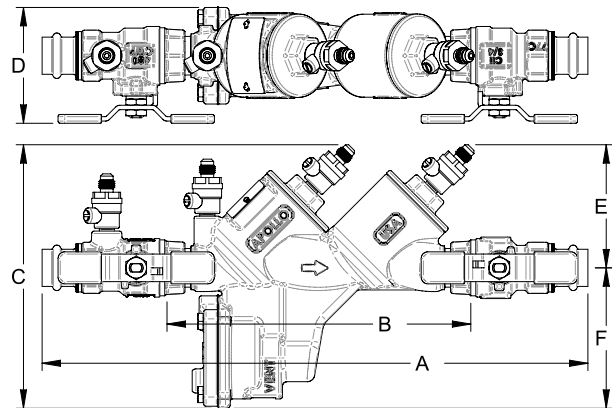
- AGD4A1 (1/2" – 1")
- AGD4A112 (1-1/4" – 1-1/2")
- AGD4A2 (2")

APOLLOXPRESS™



DIMENSIONS (IN)

Part Number	Size	A	B	C	D	E	F	Wt (lbs)
4A203T2FPR	1/2"	13	7-3/8	7-1/8	2-7/8	3-1/4	3-7/8	7.4
4A204T2FPR	3/4"	14-7/8	8-1/2	7-3/8	3-1/8	3-1/2	3-7/8	9.0
4A205T2FPR	1"	16-7/8	9-1/2	8	3-1/4	4	4	13.0
4A206T2PR	1-1/4"	21-1/8	11-3/4	9-7/8	5-1/8	4-1/2	5-3/8	19.1
4A207T2PR	1-1/2"	22	11-5/8	9-7/8	5-1/8	4-1/2	5-3/8	22.5
4A208T2PR	2"	24-3/4	12-3/4	11	5-7/8	5	6	34.6



MODEL NUMBERING SYSTEM

4A	XX	- 2	0	X	-T2	F	XX	OPTIONS
Material	Size							
Blank - Standard	3 - 1/2"					Blank -	PR - ApolloXpress	
LF - Lead Free	4 - 3/4"					NPT Testcock		
	5 - 1"					(1-1/4" x 2")		
	6 - 1-1/4"					F -		
	7 - 1-1/2"					SAE Testcock		
	8 - 2"					(1/2" - 1")		

For additional information, submittal sheets and manuals, visit www.apollovalves.com

