

MIXING VALVES

ASSE 1070 Point of Use "Mini Mixer" Valves

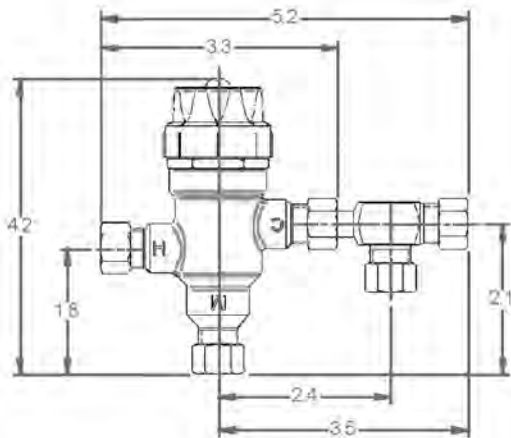
MVD (34D Series)



The Apollo® MVD (34D Series) Mini Thermostatic mixing valves are designed for ASSE 1070 "Point of Use" temperature control applications with a single fixture using proven ASTM grade materials. These valves will hold a desired temperature within $\pm 3^\circ\text{F}$ and will shut off flow in the event of hot or cold water failure. They come equipped with a tamper-resistant high temperature limit stop to prevent adjustment above 120°F .

FEATURES

- Tamper resistant locking control knob
- Adjustable maximum temperature limit stop
- Crush proof integral check valves
- Hot/cold water failure protection
- Single outlet model for sensor faucets
- Bypass fitting option for dual fixture faucets
- Satin chrome plating option
- 3/8" compression or hose connections
- Mounting bracket included
- Lead free option available - specify model 34DLF
- **Made in the USA - ARRA compliant**



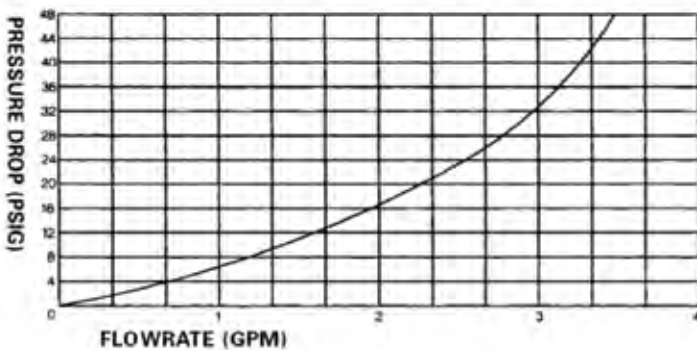
PERFORMANCE RATING

Outlet temperature range	(85°F - 120°F)
Maximum pressure:	125 psig
Maximum inlet temperature:	210°F
Minimum supply pressure	30 psi (207 kpa)
Minimum inlet/outlet temperature differential	15°F
Maximum hot/cold pressure differential	25%

APPROVALS

- ASSE 1070 - "Performance Requirements for Water Temperature Limiting Devices"
- CSA B125.3 - "Plumbing Fittings"

Model Number	Lead Free Model #	Order Number	Lead Free Order #	Description	Weight
MVD	MVD-LF	34D30201	34DLF30201	3/8" Single Outlet Bronze	.82
MVDR	MVDR-LF	34D30217	34DLF30217	3/8" Single Outlet Chrome	.82
MVDB	MVDB-LF	34D302B1	34DLF302B1	3/8" Double Outlet Bronze	1.0
MVDBR	MVDBR-LF	34D302B17	34DLF302B17	3/8" Double Outlet Chrome	1.0



for additional information, submittal sheets and manuals, visit www.apollovalves.com

Customer Service (704) 841-6000