

# 77W SERIES

## Press End Bronze Ball Valve

# APOLLOXPRESS™

### DESCRIPTION:

The APOLLOXPRESS™ 77W Series Ball valve is designed for direct mechanical connection to ASTM B88-Type K, L, and M copper tubing in the hard drawn condition. The 77W is ideal for installation in most plumbing and heating systems, including potable water. Now with Leak Before Press® feature and 250 psig maximum working pressure.

### FEATURES:

- Full-Port Flow
- Adjustable Stem Packing
- Fast, Reliable, Economical Press Installation
- Ridgid® XL Press Tool Compatible
- Leak Before Press® Technology
- Blow-Out Proof Stem
- Corrosion Resistant Materials
- 100% Factory Tested
- Silicone Free
- **Made in USA**, ARRA Compliant

### PERFORMANCE RATING:

- Maximum Operating Pressure 250 psi
- Temperature Range: 0°F - 250°F

### APPROVALS:

- MSS SP-110 Ball Valves
- NSF/ANSI 61 Section 8
- Directive 2002/95/CE (RoHS) Compliant

### MATERIAL SPECIFICATIONS:

Part Name	Material
Body	Cast Bronze C89836
Seat	Multi-Fill PTFE
Ball	ASTM B16 Brass, plated
Stem Packing	Multi-Fill PTFE
Nut	Corrosion Resistant Plated Steel
Stem	Brass, ASTM B16, UNS# C36000
Retainer	Brass, ASTM B16, UNS# C36000
Handle	Plated Steel/Insulated Polyvinyl
Gland	Brass, ASTM B16, UNS# C36000
O-Ring Seals	EPDM

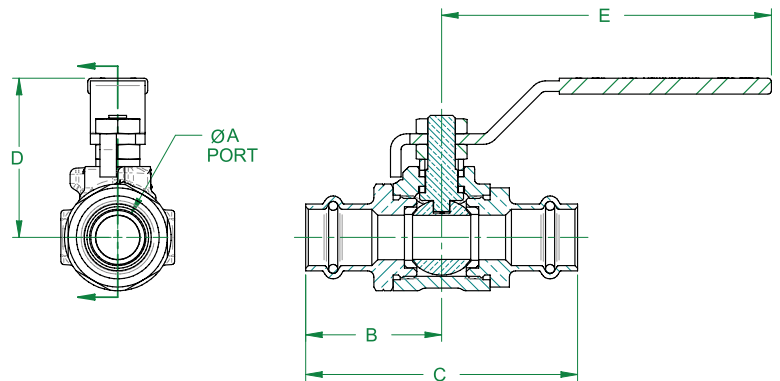
### APPROVED APPLICATIONS:

- Water including Potable Water
- Hydronic Heating (50% glycol max)
- Not suitable for steam or flammable gas service
- Not compatible with soft annealed copper tubing.



### DIMENSIONS (IN)

Part Number	Size	A	B	C	D	E	Wt (lbs.)
77W-103-01	1/2"	0.50	1.54	3.08	1.50	3.74	0.6
77W-104-01	3/4"	0.75	1.78	3.55	2.01	4.78	1.1
77W-105-01	1"	1.00	1.93	3.86	2.20	4.78	1.8
77W-106-01	1-1/4"	1.25	2.44	4.87	3.13	7.04	4.3
77W-107-01	1-1/2"	1.50	2.91	5.81	3.10	7.04	4.6
77W-108-01	2"	2.00	3.74	7.47	3.48	7.04	8.2



### OPTIONS

- (-04) 2 1/4" Stem Extension
- (-07) Tee-Handle
- (-10) Stainless Steel Handle and Nut
- (-11) Therma-Seal™ Insulating Tee Handle
- (-92) Standard Lever with Balancing Stop
- (-94) 2 1/4" Stem Extension and Balancing Stop
- (-HC) Press x 3/4" Hose w./ Cap & Chain (1/2 & 3/4")
- (77W-140 Series) S.S. Ball and Stem
- (77WLF Series) Lead Free (0.25% Lead Max)



For additional information, submittal sheets and manuals, visit [www.apollovalves.com](http://www.apollovalves.com)

[www.apollovalves.com](http://www.apollovalves.com)

APOLLO VALVES Customer Service (704) 841-6000

