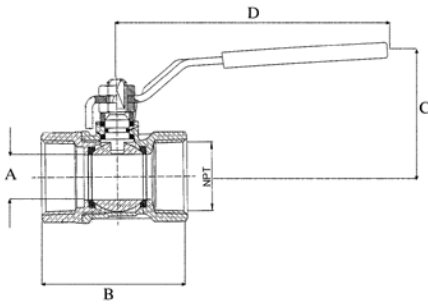


# RELATED HYDRONIC & STEAM HEATING PRODUCTS

## International Economy Valves

### 64 SERIES

### APOLLO® INTERNATIONAL FULL-PORT BRASS BALL VALVES



#### STANDARDS COMPLIANCE

- ANSI Z21.15.CGA9.1
- AGA No. 3-88
- ANSI B1.20.1
- ANSI B16.18
- CAN/CGA-3.16-M88
- ASME/ANSI B16.33
- ASME/ANSI B16.38
- MSS SP-110
- UL Guide YSDT
- UL Guide YRPV
- UL Guide VQGU
- NSF61
- RoHS Compliant



Economy full-port forged ball valve with maximum flow; ideal choice for all plumbing applications. Lever handle is standard on all sizes.

#### FEATURES

- Sizes from 1/4" to 4"
- Threaded (-100) and solder end (-200) connections
- Pressure rated to 600 psig CWP
- Temperatures to 366°F (185°C)
- Blowout-proof stem
- Chrome-plated brass ball
- Secondary O-ring stem seal
- PTFE seats, thrust bearing and stem packing

Optional Kits Valve Size (in.)	Stem Extensions	Balancing Stops	Locking Handles	Lever Handles
1/4, 3/8 and 1/2	78-1501-01	78-1506-01	78-1659-02	78-1646-01*
3/4 and 1	78-1502-01	78-1507-01	78-1660-02	78-1647-01
1-1/4 and 1-1/2	78-1503-01	78-1508-01	78-1661-02	78-1648-01
2	78-1504-01	78-1509-01	78-1662-02	78-1649-01
2-1/2 and 3	78-1505-01	78-1510-01	-	78-1650-01
4	-	-	-	78-1651-01

64-100 Part No.	Size (in.)	Dimensions (in.)				
		A	B	C	D	Cv
64-101-01	1/4 NPT	0.39	2.02	1.75	3.85	6
64-102-01	3/8 NPT	0.39	2.02	1.75	3.85	7
64-103-01	1/2 NPT	0.59	2.44	1.88	3.85	19
64-104-01	3/4 NPT	0.78	2.71	2.28	4.80	34
64-105-01	1 NPT	0.98	3.07	2.44	4.80	50
64-106-01	1-1/4 NPT	1.25	3.42	3.07	6.02	104
64-107-01	1-1/2 NPT	1.57	3.89	3.34	6.02	268
64-108-01	2 NPT	1.96	4.33	3.79	6.37	309
64-109-01	2-1/2 NPT	2.56	5.59	5.02	8.07	629
64-100-01	3 NPT	3.15	6.45	5.45	8.07	1018
64-10A-01	4 NPT	3.94	7.60	6.34	10.23	1622

64-200 Part No.	Size (in.)	Dimensions (in.)				
		A	B	C	D	Cv"
64-203-01	1/2	0.59	2.53	1.88	3.85	19
64-204-01	3/4	0.78	2.99	2.28	4.80	34
64-205-01	1	0.98	3.58	2.44	4.80	50
64-206-01	1-1/4	1.25	4.09	3.07	6.02	104
64-207-01	1-1/2	1.57	4.56	3.34	6.02	268
64-208-01	2	1.96	5.43	3.79	6.37	309
64-209-01	2-1/2	2.56	6.93	5.02	8.07	629
64-200-01	3	3.15	8.09	5.45	8.07	1018
64-20A-01	4	4.13	10.25	6.34	10.23	1622

Note: Specify -07 suffix for "T" handle, ie. 64-105-07. Available with threaded models only in 1/4"-1" sizes.  
\* Lever handle available on 1/2" - 4".