

77WLF-HC SERIES

Lead Free Ball Valve w/Press X Hose Connection **APOLLOXPRESS™**

DESCRIPTION:

The APOLLOXPRESS™ Lead Free* Press x Hose Cap & Chain ball valves are designed for direct mechanical connection to ASTM B88-Type K, L, and M copper tubing in the hard drawn condition. Valves feature a 3/4" hose connection with heavy brass cap to protect the threads. The 77WLF-HC is ideal for most plumbing and heating systems, including potable water. Now with Leak Before Press® feature and 250 psig maximum working pressure.

FEATURES:

- Full-Port
- Adjustable Stem Packing
- Fast, Reliable, Economical Press Installation
- Leak Before Press® Technology
- Lead Free* Brass & Bronze Materials
- Heavy brass cap is full pressure rated
- Easily Identifiable Blue "Lead Free" Hang Tag
- Ridgid® "XL" Press Tool Compatible
- **Made in USA**, ARRA Compliant

PERFORMANCE RATING:

- Maximum Operating Pressure 250 psi
- Temperature Range 0°F - 250°F

APPROVALS:

- MSS SP-110 Ball Valves
- NSF/ANSI 61-8
- ANSI 3rd Party Approval to 0.25% Lead Max.

MATERIAL SPECIFICATIONS:

Part Name	Material
Body	C89836 Lead Free* Bronze
Seat	Multi-Fill PTFE
Ball	C27450 Lead Free* Brass Cr. Plated
Stem Packing	Multi-Fill PTFE
Nut	Corrosion Resistant Plated Steel
Stem	C27450 Lead Free* Brass
Retainer	C27450 Lead Free* Brass
Cap	C27450 Lead Free* Brass
Handle	Plated Steel/Insulated Polyvinyl
Gland	Brass, ASTM B16, UNS# C36000
O-Ring	EPDM

APPROVED APPLICATIONS:

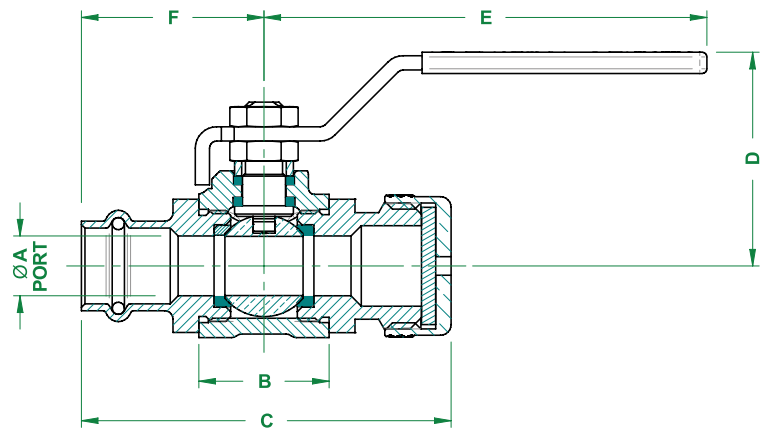
- Water, including Potable Water
- Hydronic Heating (50% glycol max)
- Not compatible with soft annealed copper tubing

* **LEAD FREE:** The wetted surfaces of this product shall contain no more than 0.25% lead by weighted average. Complies with CA AB1953, VT Act 193, MD HB372, LA HB471 and Federal Public Law 111-380. ANSI 3rd party approved and listed.



DIMENSIONS (IN)

Part Number	Size	A	B	C	D	E	F	Wt (lbs.)
77WLF103HC	1/2"	0.50	1.54	3.12	1.80	3.74	1.54	0.61
77WLF104HC	3/4"	0.75	1.72	3.45	2.01	4.78	1.78	1.16



OPTIONS

- (-04) 2 1/4" Stem Extension
- (-07) Tee-Handle
- (-10) Stainless Steel Handle and Nut
- (-11) Therma-Seal™ Insulating Tee Handle
- (-92) Balancing Stop
- (-94) 2 1/4" Stem Extension and Balancing Stop (77WLF-14x-HC Series) S.S. Ball and Stem

