

MARINE VALVES AND FITTINGS

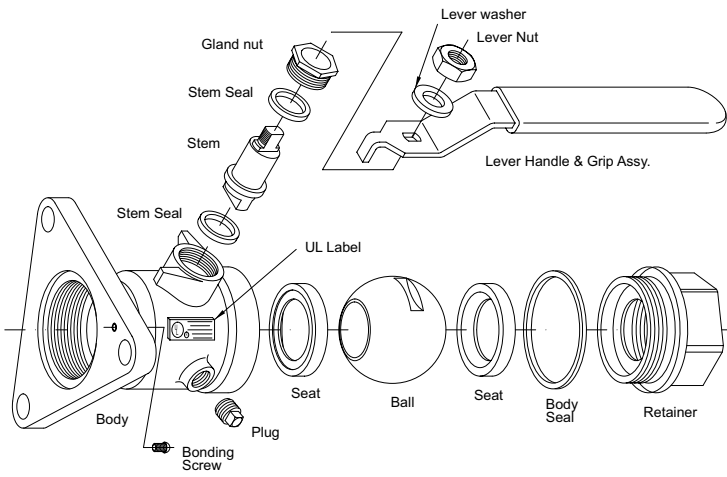
Sea Flange Valves

APOLLO® FULL FLOW SEA FLANGE VALVES

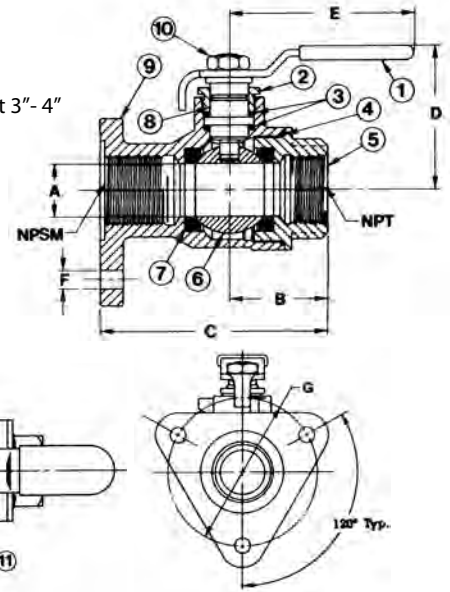
An 85-5-5 bronze ball type valve developed to replace plug and other types of sea cocks in the boating industry. Features like these make the full flow Apollo® Sea Flange your best choice for long-lasting performance and value.

FEATURES:

- Underwriters Laboratories listed
- All AYBA recommended materials
- All bronze wetted metallic components
- Large flow ports (designated by "F" at the end of the part #)**
- RPTFE seats and seals
- Chromium plated bronze ball—resists damage from marine growth
- Easy on-off operation
- Winterizing drain plug
- No thumb screws to create seal
- Stainless steel lever and nut
- Compact, streamlined efficient design
- No lubrication required
- Bonding screw standard



1. Lever & grip
2. Gland screw
3. Stem seals
4. Body seal, except 3"- 4"
5. Retainer
6. Ball
7. Seat (2)
8. Stem
9. Body
10. Lever nut
11. Plug



Part Number	NPT Size	Dimensions (in.)								WT/100
		A	B	C	D	E	F	G	H	
78-115-01F**	3/4"	0.75	1.56	3.62	2.16	4.78	0.34	3.12	0.06	270
78-118-01	1"	1.00	1.87	4.25	2.62	5.50	0.34	3.37	0.25	380
78-119-01	1 1/4"	1.25	2.15	4.81	2.81	5.50	0.34	3.62	0.37	575
78-116-01F**	1 1/2"	1.50	2.37	5.21	3.13	5.37	0.34	4.50	0.34	725
78-120-01	2"	2.00	2.84	6.25	4.68	8.00	0.34	5.00	0.87	1290
78-117-01	2 1/2"	2.50	3.18	6.87	4.00	8.00	0.34	5.87	1.00	1820
78-121-01A	3"	3.12	3.54	7.23	5.21	9.93	0.40	7.00	1.25	2118
78-122-01A	4"	4.00	3.75	8.06	5.68	9.93	1.13	8.44	1.90	3305

Contact Customer Service for availability on locking handle option

** Large flow ports

APOLLO® ECONOMY SEA FLANGE VALVES

Same great features and quality all-bronze construction as Full Flow Sea Flange valves, but with standard port design and lower cost.

Part Number	NPT Size	Dimensions (in.)								WT/100
		A	B	C	D	E	F	G	H	
78-115-01	3/4"	0.68	1.50	3.50	2.18	4.87	0.34	3.12	0.06	232
78-116-01	1 1/2"	1.25	2.18	4.81	2.87	5.50	0.34	4.50	0.18	630

Contact Customer Service for availability on locking handle option



For additional information, submittal sheets and manuals, visit www.apollovalves.com

Customer Service (704) 841-6000