

77WLF SERIES

Lead Free Press End Bronze Ball Valve

APOLLOXPRESS™

DESCRIPTION:

The **Lead Free*** APOLLOXPRESS™ 77WLF ball valve is designed for direct mechanical connection to ASTM B88- Type K, L, and M copper tubing in the hard drawn condition for sizes 1/2"-2". The 77WLF is ideal for installation in potable water systems requiring NSF 61 or **Lead Free*** approval. Now with Leak Before Press® feature and 250 psig maximum working pressure.

FEATURES:

- Lead Free* Brass & Bronze Materials
- Easily Identifiable Blue Lead Free Hang Tag
- Full-Port Flow
- Adjustable Stem Packing
- Fast, Reliable, Economical Press Installation
- Leak Before Press® Technology
- Corrosion Resistant Materials
- 100% Factory Tested
- Ridgid® XL Press Tool Compatible
- **Made in USA**, ARRA Compliant

PERFORMANCE RATING:

- Maximum Operating Pressure 250 psi
- Temperature Range: 0°F - 250°F

APPROVALS:

- MSS SP-110 Ball Valves
- NSF/ANSI 61-8 2010, Annex F & G Lead Free*
- ANSI 3rd Party Approval to AB 1953 0.25% Lead Max.

MATERIAL SPECIFICATIONS:

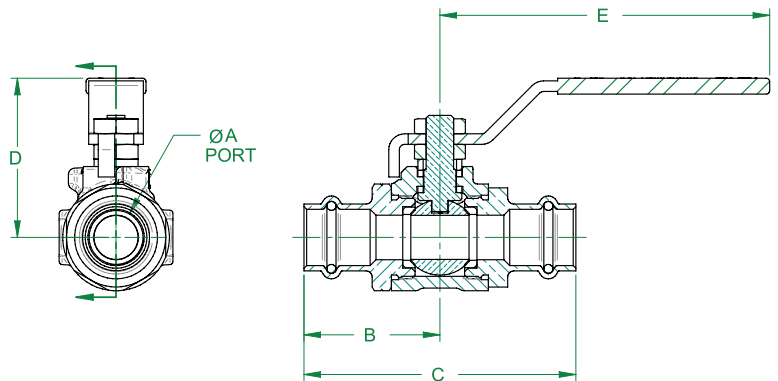
Part Name	Material
Body	ASTM B584 C89836
Seat	Multi-Fill PTFE
Ball	UNS C27450 Brass, Chr. Plated
Stem Packing	Multi-Fill PTFE
Nut	Zinc Plated Steel
Stem	UNS C27450 Brass
Retainer	UNS C27450 Brass
Handle	Plated Steel / Insulated Polyvinyl
Gland	Brass, ASTM B16, C36000
O-Ring	EPDM

* **LEAD FREE:** The wetted surfaces of this product shall contain no more than 0.25% lead by weighted average. Complies with CA AB1953, VT Act 193, MD HB372, LA HB471 and Federal Public Law 111-380. ANSI 3rd party approved and listed.



DIMENSIONS (IN)

Part Number	Size	A	B	C	D	E	Wt (lbs.)
77WLF10301	1/2"	0.50	1.54	3.08	1.50	3.74	0.61
77WLF10401	3/4"	0.75	1.78	3.55	2.01	4.78	1.09
77WLF10501	1"	1.00	1.93	3.86	2.20	4.78	1.77
77WLF10601	1-1/4"	1.25	2.44	4.87	3.13	7.04	4.27
77WLF10701	1-1/2"	1.50	2.91	5.81	3.10	7.04	4.63
77WLF10801	2"	2.00	3.74	7.47	3.48	7.04	8.21



OPTIONS**

- (-04) 2 1/4" Stem Extension
- (-07) Tee-Handle
- (-10) Stainless Steel Handle and Nut
- (-11) Therma-Seal™ Insulating Tee Handle
- (-92) Standard Lever with Balancing Stop
- (-94) 2 1/4" Stem Extension and Balancing Stop
- (77WLF-140 SERIES) S.S. Ball and Stem

** **Consult factory for availability of LF Model options**



For additional information, submital sheets and manuals, visit www.elkhartproducts.com



www.elkhartproducts.com

ELKHART PRODUCTS CORPORATION Customer Service (574) 264-3181