



CLEANOUTS

FIG. DX4343 WIDE FLANGE CAST IRON MULTI-PURPOSE FLOOR CLEANOUT W/ INTERNAL CLOSURE PLUG



FUNCTION: Used where a waterproof covering is to be applied and a wide area is required for bonding and/or support.

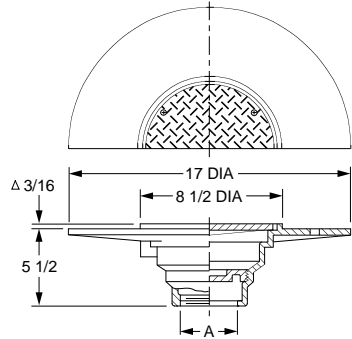


Fig. DX4343

OUTLET VARIATIONS (Specify type of outlet and pipe size in inches.)

Outlet Type	Outlet Designation	Outlet Type/Pipe Size	ADD
Inside Caulk	C02, C03, C04		N/C
Threaded	T02, T03, T04		N/C
No-Hub	Y02, Y03, Y04		See Fig 2646Y

OPTIONS:

Option	Description	ADD
-SH	Securing Holes in Flange	74.00
-U	Vandal Proof Cover	58.00

If Water-Proof Deck Covering thickness is greater (or less) than dimensions shown, the drain body should be set to compensate for the variation in thickness. Drain body should be set low enough to permit "dimpling" of area surrounding drain.

A OUTLET SIZE	TOP SIZE	†DUCO CAST IRON	DUCO CI PB TOP	DUCO CI NB TOP	APPROX. WEIGHT LBS
02, 03, 04"	8 1/2"	504.00	714.00	753.00	30

REGULARLY FURNISHED: Duco Cast Iron Body with Solid Secured Cover and Taper Thread Bronze Closure Plug.

FIG. 4400, 4402 CAULK FERRULE CLEANOUT LEAD SEAL PLUG W/ROUND ACCESS COVER

FUNCTION: Used in hub openings in drainage piping where a cleanout is required. The straight thread lead seal plug permits quick and easy removal. Grooves on outside of ferrule prevent turning. Face-of-wall cover is desirable on finished walls when ferrule is used in vertical piping.

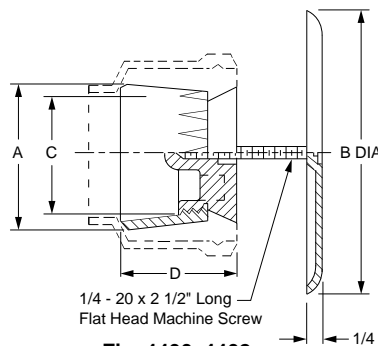


Fig. 4400, 4402

OPTIONS:

Option	Description	ADD
-BP	Cast Bronze Lead Seal Plug	
	02, 03, 04, 05"	117.00
	06, 08"	373.00
-LSS	6" Long Center Screw	28.00
-TP	"T" Handle for Plug	47.00
-U	Vandal Proof Screw	58.00

CLEANOUTS

LESS COVER	PLUG MATERIAL		A - PIPE SIZE:	02"	03"	04"	05"	06"	08"
4400CI	CI Ferrule and CI Plug			58.00	90.00	124.00	187.00	256.00	474.00
4400AB	All Bronze			199.00	238.00	349.00	530.00	679.00	945.00
WITH COVER	PLUG MATERIAL	COVER MATERIAL	A - PIPE SIZE:	02"	03"	04"	05"	06"	08"
4402	CI Ferrule and CI Plug	†Stainless Steel (-SS)	B - COVER SIZE DIA:	4 1/4"	5 1/2"	5 1/2"	7"	9 1/4"	11 1/4"
		Prime Coated Steel (-PC)		141.00	174.00	208.00	292.00	443.00	765.00
		Polished Bronze (-PB)		115.00	148.00	182.00	266.00	417.00	739.00
			C - SIZE	1 1/2"	2 1/2"	3 1/2"	4 1/2"	5 1/2"	7 1/2"
			D	2 1/2"	2 3/4"	3"	3"	3"	3 1/2"
			APPROX WT. LBS.	3	4	6	8	10	12

REGULARLY FURNISHED: Duco Cast Iron Caulk Ferrule and Cast Iron Lead Seal Plug with Stainless Steel Round Cover and Screw when indicated by Fig. Number.

