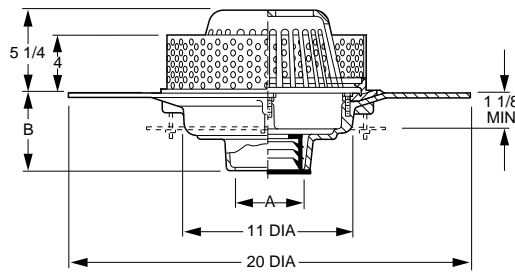




ROOF DRAINS

FIG. 1019 IRMA ROOF APPLICATIONS

FUNCTION: Used in roof systems where the insulated membrane assembly method of waterproofing is provided. Fig. 1019 is utilized with a liquid membrane waterproofing. A 4" high perforated stainless steel gravel stop is supplied to retain the crushed gravel used in IRMA flat roof construction.



A OUTLET SIZE	FLANGE DIA.	FREE AREA SQ IN	†DUCO CI POLY DOME	APPROX. WEIGHT LBS
02, 03, 04"	20"	102.5	1,710.00	50
05, 06"	20"	102.5	1,894.00	50

REGULARLY FURNISHED: Duco Cast Iron Wide Flange Body with Flashing Clamp, 1/16" Thick, 4" High Stainless Steel Perforated Gravel Stop with 3/8" Dia. Openings and Polyethylene Dome.

OUTLET VARIATIONS (Specify type of outlet and pipe size in inches.)

Outlet Type	Outlet Designation	Outlet Type/Pipe Size	"B" Body HT. DIM.	ADD
Inside Caulk	C02, C03, C04, C05, C06		5"	N/C
Speedi-Set SW	L02, L03, L04		5"	N/C
Speedi-Set XH	LXH02, LXH03, LXH04		5"	N/C
Threaded	T02, T03, T04, T05, T06		3 3/4"	47.00
No-Hub	Y02, Y03, Y04, Y05, Y06		5"	N/C

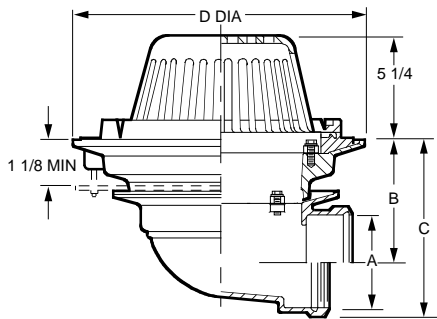
OPTIONS:

OPTION	DESCRIPTION	ADD
-AD	Aluminum Dome	149.00
-C	Aluminum Underdeck Clamp	146.00
-CID	CI Dome	128.00
-CIDG	Cast Iron Dome with Galvanizing	346.00
-CID8	8" High CI Dome	279.00
-CL	Angular Underdeck Clamp	296.00
-G	Galvanized CI	759.00
-GG	Perforated SS Gravel Stop over 4", per inch	46.00
-RBD	Rough Bronze Dome	504.00
-U	Vandal Proof Dome	75.00

ROOF DRAINS

FIG. 1020 16" DIAMETER - LOW PROFILE DOME

FUNCTION: Used in flat roof of any construction. Large low profile dome provides sufficient free area for quick drainage of rain water and protects the drain sump and connected piping from the intrusion of debris. Wide clamping surface holds flashing and roofing materials without puncturing.



A OUTLET SIZE	B	D FLANGE DIA.	FREE AREA SQ IN	†DUCO CI Poly Dome	APPROX. WEIGHT LBS
02"	6 3/8"	15 1/4"	102.5	656.00	45
03"	6 3/8"	15 1/4"	102.5	656.00	45
04"	5 7/8"	15 1/4"	102.5	656.00	45
05"	5"	16"	102.5	839.00	55
06"	4 1/2"	16"	102.5	839.00	55

REGULARLY FURNISHED: Duco Cast Iron Body with Combined Flashing Clamp and Gravel Stop with Polyethylene Dome.

OUTLET VARIATIONS (Specify type of outlet and pipe size in inches.)

Outlet Type	Outlet Designation	Outlet Type/Pipe Size	"C" Body HT. DIM.	ADD
Inside Caulk	C02		8 5/8"	N/C
	C03, C04		8 3/4"	N/C
	C05, C06		8 1/2"	N/C
Threaded Outlet	T02		8 5/8"	N/C
	T03, T04		8 3/4"	N/C
	T05, T06		8 1/2"	N/C
No-Hub	Y02		8 5/8"	N/C
	Y03, Y04		8 3/4"	N/C
	Y05, Y06		8 1/2"	See Fig. 2646Y

OPTIONS:

OPTION	DESCRIPTION	ADD
-AD	Aluminum Dome	149.00
-C	Aluminum Underdeck Clamp	146.00
-C2	Secondary Flashing Clamp	112.00
-CID	CI Dome	128.00
-CIDG	Cast Iron Dome with Galvanizing	346.00
-CID8	CI Dome, 8" High	279.00
-CL	Angular Underdeck Clamp	296.00
-E	Extension up to 4" per inch over 4"	402.00 95.00
-G	Galvanized CI	582.00
-R	Sump Receiver	164.00
-RBD	Rough Bronze Dome	504.00
-SSM	SS Mesh on Metal Dome	305.00
-U	Vandal Proof Dome	75.00

