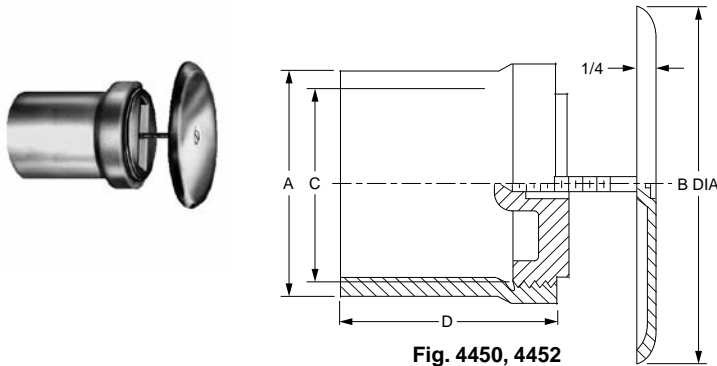




CLEANOUTS

FIG. 4450, 4452 CAULK FERRULE CLEANOUT FULL CALIBER FERRULE TAPER THREAD PLUG W/ROUND COVER

FUNCTION: Used in hub openings in drainage piping where a cleanout is required. Plug size equals ferrule size. Face-of-Wall cover is desirable on finished walls.



- OPTIONS:**
- BB Cast Bronze Ferrule **ADD POA**
 - LSS 6" Long Center Screw..... **28.00**
 - TH Plug Tapped 1/4-20 Thread w/T Handle for Plug..... **78.00**
 - U Vandal Proof Screw **58.00**

Fig. 4450, 4452

| LESS COVER | CLEANOUT MATERIAL | | A - PIPE SIZE: | 02" | 03" | 04" |
|------------|-----------------------------|--------------------------|---------------------|--------|--------|--------|
| 4450 | †CI Ferrule and Bronze Plug | | | 111.00 | 145.00 | 239.00 |
| | All Bronze | | | POA | POA | POA |
| WITH COVER | CLEANOUT MATERIAL | COVER MATERIAL | A - PIPE SIZE: | 02" | 03" | 04" |
| 4452 | †CI Ferrule and Bronze Plug | †Stainless Steel (-SS) | B - COVER SIZE DIA: | 4 1/4" | 5 1/2" | 7" |
| | | Prime Coated Steel (-PC) | | 194.00 | 227.00 | 342.00 |
| | | Polished Bronze (-PB) | | 168.00 | 201.00 | 316.00 |
| | | | C - SIZE | 2 1/2" | 3" | 4" |
| | | | D | 3 1/2" | 3 3/4" | 4 1/4" |
| | | | APPROX WT. LBS. | 5 | 8 | 13 |

REGULARLY FURNISHED: Duco Cast Iron Full Caliber Caulk Ferrule with Cast Bronze Taper Thread Plug, with Stainless Steel Round Cover and Screw as Indicated by Figure Number Selected.

FIG. 4470, 4472 TAPER THREAD PLUG WITH ROUND COVER

FUNCTION: Used in female pipe size openings in drainage piping where a cleanout is required. Countersunk plugs have slot sized to receive 1/2" thick steel bar stock. Face-of-wall cover is desirable on finished walls.

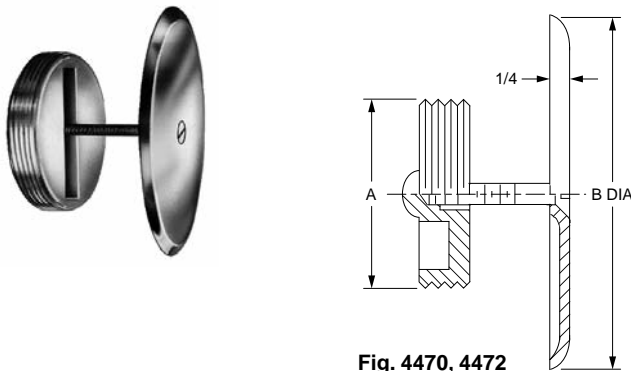


Fig. 4470, 4472

- OPTIONS:**
- LSS 6" Long Center Screw..... **28.00**
 - TH Plug Tapped 1/4-20 Thread w/T Handle for Plug..... **78.00**
 - U Vandal Proof Screw **58.00**

CLEANOUTS

| LESS COVER | PLUG MATERIAL | A - PLUG SIZE: | 015" | 02" | 0250" | 03" | 0350" | 04" | 05" | 06" | 08" | 10" |
|------------|--------------------------|---------------------|--------|--------|--------|--------|--------|--------|--------|--------|---------|---------|
| 4470 | †Bronze Plug | | 28.00 | 33.00 | 43.00 | 58.00 | 95.00 | 102.00 | 157.00 | 213.00 | 438.00 | 650.00 |
| WITH COVER | COVER MATERIAL | B - COVER SIZE DIA: | 4 1/4" | 4 1/4" | 4 1/4" | 5 1/2" | 5 1/2" | 5 1/2" | 7" | 9 1/4" | 11 1/4" | 11 1/4" |
| 4472 | †Stainless Steel (-SS) | | 111.00 | 114.00 | 124.00 | 141.00 | 177.00 | 187.00 | 261.00 | 402.00 | 727.00 | 941.00 |
| | Prime Coated Steel (-PC) | | 85.00 | 88.00 | 98.00 | 115.00 | 151.00 | 161.00 | 235.00 | 376.00 | 701.00 | 915.00 |
| | Polished Bronze (-PB) | | 85.00 | 88.00 | 98.00 | 115.00 | 151.00 | 161.00 | 235.00 | 376.00 | 701.00 | 915.00 |
| | | APPROX WT. LBS. | 2 | 2 | 3 | 3 | 5 | 5 | 7 | 8 | 11 | 12 |

REGULARLY FURNISHED: Cast Bronze Taper Thread Plug with Stainless Steel Round Cover and Screw as indicated by Figure Number.

