



CLEANOUTS

FIG. 4440, 4441 CAULK FERRULE CLEANOUT TAPER THREAD PLUG W/FRAME AND SCORIATED COVER

FUNCTION: Used in hub openings where a floor or wall cover is required. Face-of-Wall or Flush-with-Wall Cover available with finished wall.



Same as 4438 and 4439 but with Taper Thread Plug

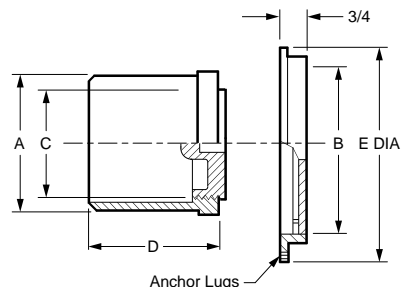


Fig. 4440

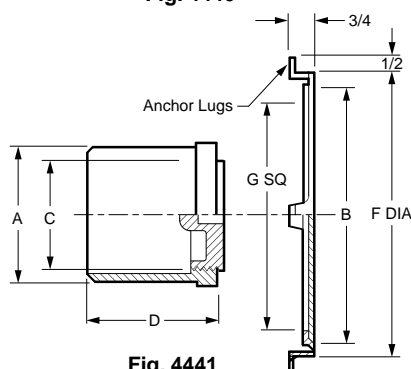


Fig. 4441

OPTIONS:

- BB Cast Bronze Ferrule.....POA
- TH Plug Tapped 1/4-20 Thread w/T Handle for Plug.....78.00
- U Vandal Proof Screw58.00
- Cover Drilled in Center and Furnished with 1/4-20 x 2 1/2" Long Screw.....84.00
- Smooth Cover for Flush-Type Cover.....See Fig 4435, 4437

		A - PIPE SIZE:	Δ02"	Δ03"	Δ04"	05"	06"	08"
4440	Flush Type Cover	COVER MATERIAL	B - COVER SIZE DIA:					
		Chrome Plated (-CP)	4"	5 1/2"	6"	6"	8"	10"
		†Nickel Bronze (-NB)	299.00	334.00	368.00	430.00	664.00	1,140.00
		Polished Bronze (-PB)	271.00	306.00	340.00	402.00	628.00	1,012.00
			250.00	285.00	319.00	381.00	600.00	947.00
4441	Flush Type Cover	COVER MATERIAL	A - PIPE SIZE:					
		Chrome Plated (-CP)	02"	03"	04"	05"	06"	08"
		†Nickel Bronze (-NB)	6 x 6"	6 x 6"	6 x 6"	8 x 8"	8 x 8"	10 x 10"
		Polished Bronze (-PB)	424.00	459.00	494.00	726.00	796.00	1,056.00
			424.00	459.00	494.00	726.00	796.00	1,056.00
			376.00	411.00	446.00	657.00	727.00	985.00
C - SIZE			1 1/2"	2 1/2"	3 1/2"	4 1/2"	5 1/2"	7 1/2"
D			3 1/2"	3 3/4"	4 1/4"	4 1/4"	4 1/4"	4 1/2"
E DIA			4 1/2"	5 3/4"	6 1/2"	6 1/2"	8 1/2"	10 1/2"
F SQ			7"	7"	7"	9"	9"	11"
G SQ			5 1/2"	5 1/2"	5 1/2"	7 1/2"	7 1/2"	9 1/2"

ΔSized for Service Weight and/or NO-HUB

REGULARLY FURNISHED: Duco Cast Iron Caulk Ferrule with Cast Bronze Taper Thread Plug and Secured Scoriated Nickel Bronze Cover and Frame with Anchor Lugs. Type of Cover as Indicated by Figure Number Selected.

