



# CLEANOUTS

## FIG. 4434, 4435 CAULK FERRULE CLEANOUT TAPER THREAD PLUG W/SQUARE FRAME AND COVER



**FUNCTION:** Used to cover cleanout plugs concealed in walls. The square design is particularly adaptable to adjacent walls, floors, ceilings, etc., that are finished of material in straight line patterns. The anchoring lugs provide easy means for securing the frame to the wall construction. The face-of-wall cover (4434) is for tile, masonry, or dry wall construction and is usually installed on an opening provided in the finished wall. The flush-with-wall cover (4435) is for plaster or wet wall construction and is installed during the wall construction.

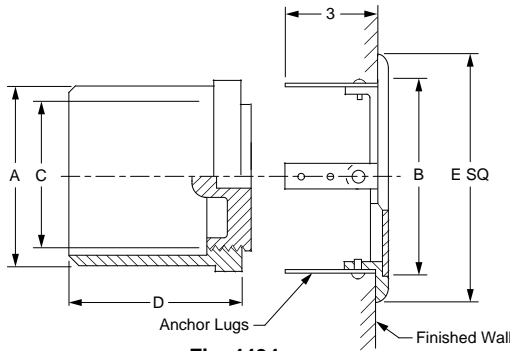


Fig. 4434

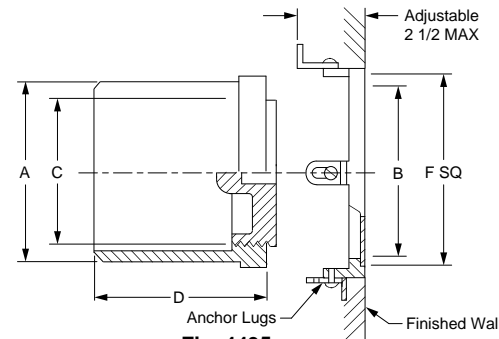


Fig. 4435

**OPTIONS:**

- BB Cast Bronze Ferrule and Plug ..... POA
- TH Plug Tapped 1/4-20 w/T Handle for Plug ..... 78.00
- U Vandal Proof Screw ..... 58.00
- Solid Scoriated Cover f/Flush Type Cover ..... See Fig 4441

**ADD**

		A - PIPE SIZE:	Δ02"	Δ03"	Δ04"	05"	06"	08"	*	*
4434	Face of Wall	<b>COVER MATERIAL</b>								
		†Chrome Plated (-CP)	460.00	496.00	530.00	778.00	848.00	1,117.00		
		Nickel Bronze (-NB)	424.00	460.00	494.00	726.00	796.00	1,056.00		
		Polished Bronze (-PB)	412.00	448.00	482.00	709.00	779.00	1,046.00		
4435	Flush with Wall	<b>COVER MATERIAL</b>							*	*
		†Chrome Plated (-CP)	460.00	496.00	530.00	778.00	848.00	1,117.00		
		Nickel Bronze (-NB)	424.00	460.00	494.00	726.00	796.00	1,056.00		
		Polished Bronze (-PB)	412.00	448.00	482.00	709.00	779.00	1,046.00		
		<b>C - SIZE</b>	1 1/2"	2 1/2"	3 1/2"	4 1/2"	5 1/2"	7 1/2"	-	-
		<b>D</b>	3 1/2"	3 3/4"	4 1/4"	4 1/4"	4 1/4"	4 1/2"	-	-
		<b>E SQ</b>	7 3/4"	7 3/4"	7 3/4"	9 3/4"	9 3/4"	11 3/4"	13 3/4"	16 3/4"
		<b>F SQ</b>	6 1/2"	6 1/2"	6 1/2"	8 1/2"	8 1/2"	10 1/2"	12 1/2"	15 1/2"
		<b>APPROX WT. LBS.</b>	5	7	10	12	13	26		

ΔSized for Service Weight and/or NO-HUB \*Covers may be used with any of the above plugs

**REGULARLY FURNISHED:** Duco Cast Iron Caulk Ferrule with Cast Bronze Taper Thread Plug, Chrome Plated Bronze Square Frame and Secured Cover. Type of Cover as Indicated by Figure Number Selected.

CLEANOUTS

