

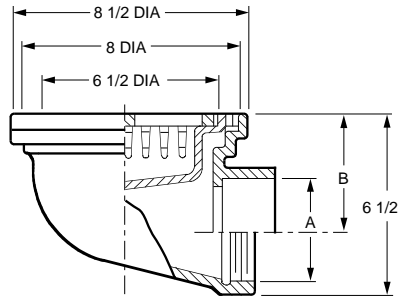


FLOOR DRAINS

FIG. 2215 MEDIUM DUTY FLOOR DRAIN WITH 8 1/2" ROUND TOP AND "SAFE SET" SEDIMENT BUCKET



FUNCTION: For general medium duty use where waste water contains solids or debris that must be prevented from entering drainage lines. "Safe-Set" design insures bucket replacement after cleaning, since top grate cannot be inserted unless bucket is in place.



A OUTLET SIZE	TOP SIZE	FREE AREA SQ IN	B	†DUCO CI	DUCO CI PB TOP	DUCO CI NB TOP	APPROX. WEIGHT LBS
02"	8 1/2"	9.25	4 3/4"	513.00	779.00	842.00	16
03"	8 1/2"	9.25	4 1/4"	513.00	779.00	842.00	16
04"	8 1/2"	9.25	3 1/4"	513.00	779.00	842.00	16

REGULARLY FURNISHED: Duco Cast Iron Body with Cast Iron Grate and Sediment Bucket.

OUTLET VARIATIONS (Specify type of outlet and pipe size in inches.)

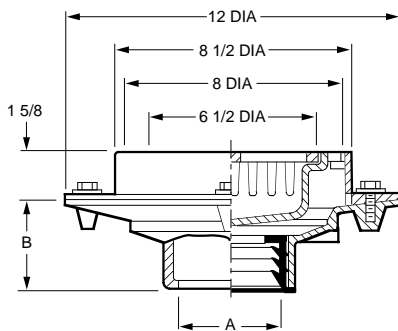
Outlet Type	Outlet Designation Outlet Type/Pipe Size	Body HT. DIM.	ADD
Inside Caulk	C02, C03, C04	6 1/2"	N/C
Threaded	T02, T03, T04	6 1/2"	N/C
No-Hub	Y02, Y03, Y04	See Fig. 2646Y	

OPTIONS:

OPTION	DESCRIPTION	ADD
-D	Dome Grate, CI	50.00
-DNB	Dome Grate, add to CI	554.00
-DPB	Dome Grate, add to CI	441.00
-G	Galvanized CI	259.00
-H	Hinged Grate	156.00
-MBG	Ductile Iron Bucket & Grate	304.00
-P	Trap Primer Conn	99.00
-S	Square Top, CI	196.00
-SNB	Square Top, add to CI	571.00
-SPB	Square Top, add to CI	472.00
-U	Vandal Proof Grate	89.00

FIG. 2220 LIGHT DUTY FLOOR DRAIN WITH 8 1/2" ROUND TOP AND "SAFE SET" SEDIMENT BUCKET WITH FLANGE

FUNCTION: For general light duty use where waste water contains solids or debris that must be prevented from entering drainage lines. "Safe-Set" design insures bucket replacement after cleaning since top grate cannot be inserted unless bucket is in place.



A OUTLET SIZE	TOP SIZE	FREE AREA SQ IN	†DUCO CI	DUCO CI PB TOP	DUCO CI NB TOP	APPROX. WEIGHT LBS
02, 03, 04"	8 1/2"	9.25	364.00	630.00	693.00	22

REGULARLY FURNISHED: Duco Cast Iron Body and Flashing Collar with Cast Iron Grate and Sediment Bucket.

OUTLET VARIATIONS (Specify type of outlet and pipe size in inches.)

Outlet Type	Outlet Designation Outlet Type/Pipe Size	"B" Body HT. DIM.	ADD
Inside Caulk	C02, C03, C04	3 3/4"	N/C
Speedi-Set SW	L02, L03, L04	3 3/4"	N/C
Speedi-Set XH	LXH02, LXH03, LXH04	3 3/4"	N/C
Threaded	T02, T03, T04	2"	47.00
No-Hub	Y02, Y03, Y04	3 3/4"	N/C

OPTIONS:

OPTION	DESCRIPTION	ADD
-D	Dome Grate, CI	50.00
-DID*	Drain Installation Device	125.00
-DNB	Dome Grate, add to CI	554.00
-DPB	Dome Grate, add to CI	441.00
-G	Galvanized CI	284.00
-H**	Hinged Grate (Not available in Ductile Iron)	156.00
-MBG	Ductile Iron Bucket & Grate	304.00
-P	Trap Primer Conn	99.00
-S	Square Top, CI	196.00
-SNB	Square Top, add to CI	571.00
-SPB	Square Top, add to CI	472.00
-U	Vandal Proof Grate	89.00
-XP	Closure Plug, 02, 03" 04"	238.00 400.00

*Requires body modifications. Must be shipped complete from the factory.

**When hinged ductile iron grate is specified, see 2210.

