

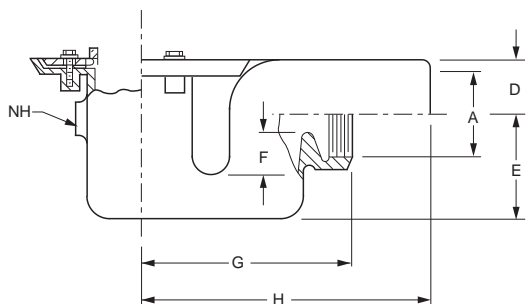


FLOOR DRAINS

FIG. 2020 SIDE OUTLET - SHALLOW TRAP FLOOR DRAIN BODY AND COLLAR ASSEMBLY
FIG. 2021 SIDE OUTLET - SHALLOW TRAP FLOOR DRAIN BODY AND COLLAR ASSEMBLY



FUNCTION: General service side outlet floor drain for use in showers, toilets, kitchens and other finished areas where foot traffic is expected.



OUTLET VARIATIONS (Specify type of outlet and pipe size in inches.)

Outlet Type	Outlet Designation Outlet Type/Pipe Size	ADD
Spigot (2021)	S02, S03, S04	N/C
Threaded (2020)	T02, T03, T04	N/C

OPTIONS:

Option	Description	ADD
-NH	High Aux Inlet (Specify 1 1/2 or 2")	209.00
-P050	1/2" Trap Primer Conn	99.00
-P075	3/4" Trap Primer Conn	99.00

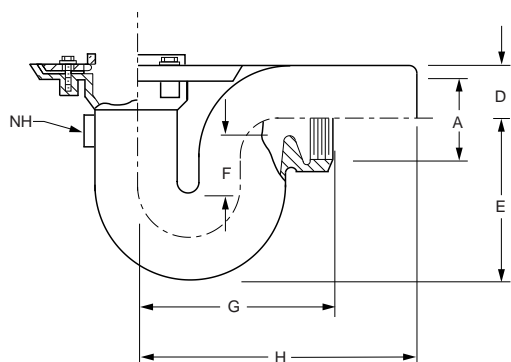
A OUTLET SIZE	D	E	F SEAL	G	H	†DUCO CI	GALV CI (-G)	APPROX WEIGHT LBS.
02"	1 3/4"	5"	2"	6 3/4"	9 1/2"	342.00	593.00	18
03"	2 1/4"	4 1/2"	2"	9"	12 1/4"	342.00	593.00	18
04"	3"	8 1/2"	2 1/2"	10"	12 3/4"	541.00	792.00	18

REGULARLY FURNISHED: Duco Cast Iron Body and Flashing Collar.

NOTE: For body with adjustable strainer head and 4" DIA funnel see Fig. 3520-F11, 3521-F11 page 269.

FIG. 2030 SIDE OUTLET - DEEP TRAP FLOOR DRAIN BODY AND COLLAR ASSEMBLY
FIG. 2031 SIDE OUTLET - DEEP TRAP FLOOR DRAIN BODY AND COLLAR ASSEMBLY

FUNCTION: General service side outlet floor drain for use in showers, toilets, kitchens and other finished areas where foot traffic is expected.



OUTLET VARIATIONS (Specify type of outlet and pipe size in inches.)

Outlet Type	Outlet Designation Outlet Type/Pipe Size	ADD
Spigot (2031)	S02, S03, S04	N/C
Threaded (2030)	T02, T03, T04	N/C

OPTIONS:

Option	Description	ADD
-NH	High Auxiliary Inlet (Specify 1 1/2 or 2")	209.00
-P050	1/2" Trap Primer Conn	99.00
-P075	3/4" Trap Primer Conn	99.00

A OUTLET SIZE	D	E	F SEAL	G	H	†DUCO CI	GALV CI (-G)	APPROX WEIGHT LBS.
02"	1 3/4"	5 1/4"	2"	5"	8"	402.00	653.00	18
03"	2"	7"	2 1/4"	8"	10"	402.00	653.00	18
04"	3"	8 1/2"	2 1/2"	10"	12"	458.00	709.00	18

REGULARLY FURNISHED: Duco Cast Iron Body and Flashing Collar.

NOTE: For body with adjustable strainer head and 4" DIA funnel see Fig. 3530-F11, 3531-F11 page 270.

