

# EcoWash EWR-30

## 30-lb Capacity Rigid Mount/200 G-Force Coin Washer/Extractor

### Features and Benefits:

- Coin or Card Ready
- Inverter Driven Motor
- Heavy-Duty Structural Tube Construction
- Stainless Steel Cabinet
- Easy to Program and Easy to Use Controls
- Load Imbalance Detection Before Spinning
- Large, Convenient Supply Dispenser
- Flexible Water Level Settings
- Ergonomic, Easy-Grip Door Handle



EWR-30 Coin Washer/Extractor

### Why Purchase ADC EcoWash?



#### Rugged Structural Tube Construction

EcoWash rapid spin washer/extractors are constructed with a structural tube design frame in combination with a heavy-duty cast aluminum counter weight to provide superior strength and maximum stability throughout the wash cycle.

#### Durable Door Safety Lock and Handle

The durable ergonomic design of the door handle combined with our Easy Lock™ door lock provides maximum convenience and safety.

#### Large, Convenient Supply Dispenser

Easy to use, this large supply dispenser allows you to conveniently load your detergent, bleach and fabric softeners before starting your wash cycle.

#### Disconnect

All Ecowash washers feature a standard quick disconnect for immediate power shutoff to your washer, eliminating the need for any additional cost of an external disconnect. This quick disconnect provides lockout/tagout capability to meet OSHA standards when performing preventative maintenance.

Your local ADC independent authorized distributor



# EcoWash EWR-30

200 G-Force Rapid Spin Washer-Extractor	
Features	EWR-30
<b>DRUM</b>	
Load Capacity (lb/kg)	30 / 13.60
Drum Volume (cu. ft./liter)	4.6 / 130
Drum Diameter (in/mm)	24-1/2 / 622
Drum Depth (in/mm)	17 / 432
<b>DIMENSIONS</b>	
Width (in/mm)	31-1/8 / 791
Depth (in/mm)	34-1/4 / 861
Height (in/mm)	51-3/16 / 1300
Weight (lb/Kg)	486 / 225
<b>DIMENSIONS WITH PACKAGING</b>	
Crated Width (in/mm)	32-1/2 / 826
Crated Depth (in/mm)	39 / 991
Crated Height (in/mm)	60-1/4 / 1530
Crated Weight (lb/Kg)	536 / 243
<b>DOOR</b>	
Height to Bottom of Door	16-3/4 / 425
Door Opening Diameter (in/mm)	14-3/4 / 375
<b>ELECTRICAL REQUIREMENT</b>	
Voltage/Phase	208-240 / 1, 3 $\phi$
Full load current / Breaker (amps) - 1 $\phi$	6.35 / 15
Full load current / Breaker (amps) - 3 $\phi$	4.51 / 15
<b>CONNECTIONS</b>	
Water Inlet (in/mm)	3/4 / 19.05
Steam Inlet (in/mm)	1/2 / 12.7
Drain (in/mm)	3 / 76.2
<b>CYLINDER SPEED</b>	
Washing speed (r.p.m.)	50
Spinning speed (r.p.m.)	760
G-Force	200

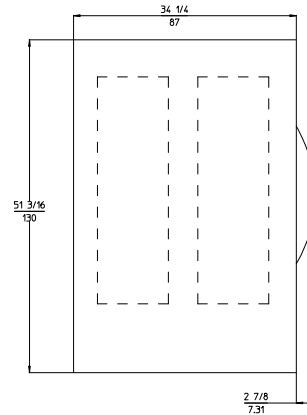
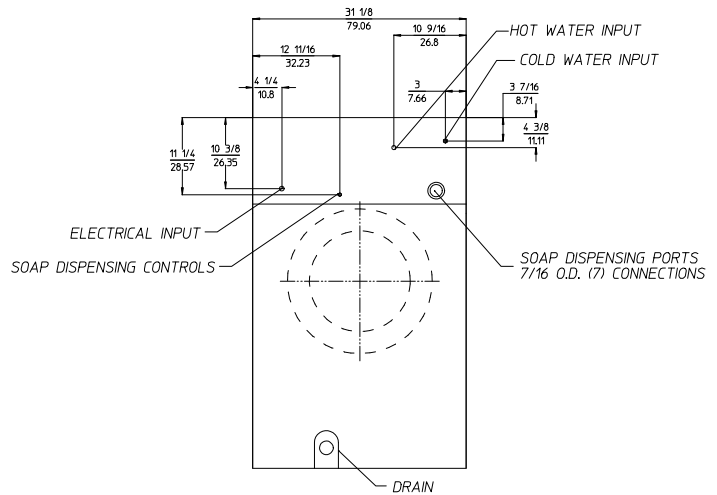
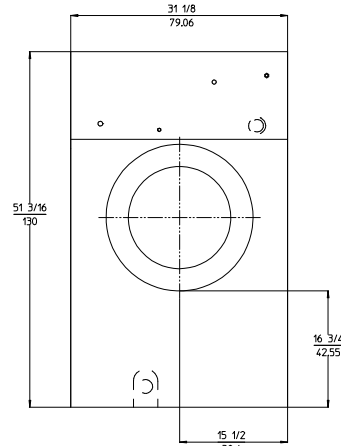


## Intuitive Micro Controls (IMC®) That Makes Washing Easy For You and Your Customers

Intuitive Micro Controls (IMC®) is our programmable microprocessor that is customizable, easy to program and easy to use. You can simplify existing programs; modify or delete the temperature and times of each phase of the cycle, as well as modify water levels to achieve maximum savings in your Laundromat. Multi vend pricing capability also enables you to maximize your Laundromat's revenue.



88 Curren Road Fall River, MA 02720-4781 • 508.678.9000 • Fax: 508.678.9447 • Email: sales@amdry.com



P/N 450638 02/12  
REV 3/29/12

\* Specifications are subject to change without notice or obligation. Contact ADC for dimensions not shown or for clarification.