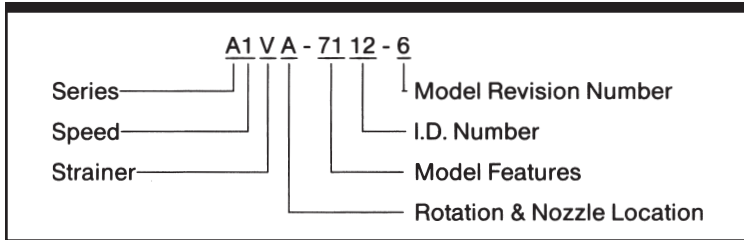


## Typical Model Number Nomenclature (Model A & Model B):\*



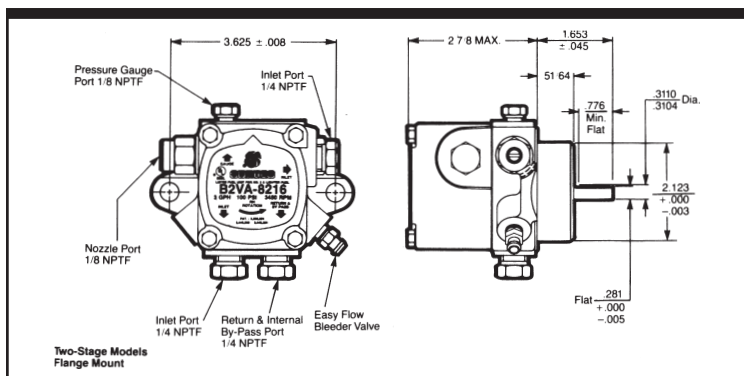
\*The model number appears on the fuel unit label.

### **MODEL B-8000 • TWO-STAGE FUEL UNITS**

- Two-pipe installations up to 17" hg. vacuum
- Lift or gravity feed applications with 10 psi maximum inlet/return pressure
- Capacities to 7 gph, except boost pumps
- Factory-set at 100 psi
- Pressure adjustable from 100 to 150 psi at 3450 rpm, 100 to 135 psi at 1725 rpm. Models available to 200 and 300 psi
- Choice of 1725, 2850, 3450 rpm
- Suitable for no. 2, no. 1 fuel oil, or kerosene
- Mounting in any position except upside down.



# SPECIFICATIONS\*/ORDERING INFORMATION



Model Number	RPM	Rotation <sup>1</sup>	Nozzle Port Location <sup>1</sup>	Strainer & Nozzle Rating at 100 psi	Special Features
B1VA-8212	1725	R.H.	R.H.	3 gph	--
B2VA-8216	3450	R.H.	R.H.	3 gph	--
B2YA-8916	3450	R.H.	R.H.	7 gph	3 gph at 200 psi
B2VA-8416	3450	R.H.	R.H.	3 gph	Solenoid dumping fuel unit
B2VA-8241	3450	R.H.	R.H.	--	Boost pump, 20 gph at 10-20 psi
B2VA-8242	2850	R.H.	R.H.	2.25 gph	--

\*Also apply to “-8” model numbers (shown on fuel unit).

For example: “8212-6,” etc.

<sup>1</sup>Viewed from shaft end.