

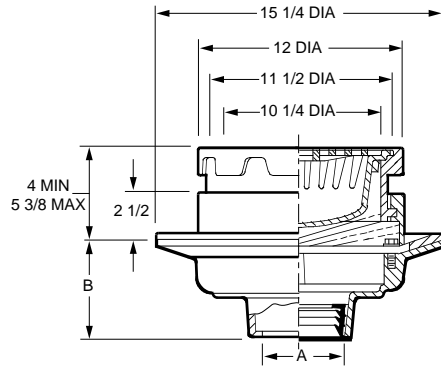


FLOOR DRAINS

FIG. 2360 MEDIUM DUTY FLOOR DRAIN WITH 12" ROUND ADJUSTABLE TOP AND "SAFE-SET" SEDIMENT BUCKET



FUNCTION: Used in moderate traffic areas in any type of floor construction where accurate positioning of grate is necessary to meet the finished floor level and where the waste water contains solids and debris that must be intercepted. Large top will accept higher flow rates. iSafe-Set" design insures bucket replacement after cleaning since top grate cannot be inserted unless bucket is in place.



A OUTLET SIZE	TOP SIZE	FREE AREA SQ IN	DUCO CI	DUCO CI PB TOP	DUCO CI NB TOP	APPROX. WEIGHT LBS
02, 03, 04"	12"	25.5	1,176.00	1,571.00	1,633.00	87
05, 06"	12"	25.5	1,176.00	1,571.00	1,633.00	89

REGULARLY FURNISHED: Duco Cast Iron Body and Flashing Collar with Adjustable Top and Bar Grate with Sediment Bucket.

OUTLET VARIATIONS (Specify type of outlet and pipe size in inches.)

Outlet Type	Outlet Designation Outlet Type/Pipe Size	"B" Body HT. DIM.	ADD
Inside Caulk	C02, C03, C04, C05, C06	5"	N/C
Speedi-Set SW	L02, L03, L04	5"	N/C
Speedi-Set XH	LXH02, LXH03, LXH04	5"	N/C
Threaded	T02, T03, T04, T05, T06	3"	47.00
No-Hub	Y02, Y03, Y04, Y05, Y06	5"	N/C

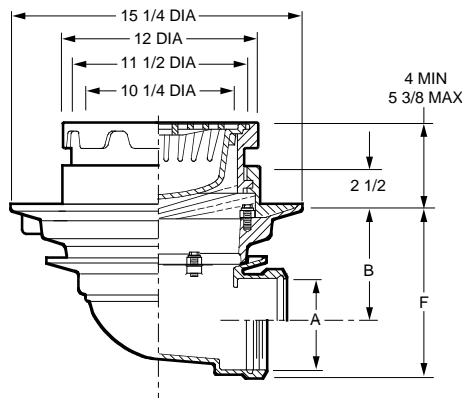
OPTIONS:

Option	Description	ADD
-ARIO	ARC In and Out	748.00
-DID	Drain Installation Device	125.00
-E	Adjus Ext, 4 1/2 to 6"	150.00
-FBSCI	Flat Bottom Strainer, CI	36.00
-G	Galvanized CI	635.00
-H	Hinged Grate	156.00
-MBG	Ductile Iron Bucket & Grate	416.00
-P	Trap Primer Conn	99.00
-S	Square Top, CI	208.00
-SNB	Square Top, add to CI	753.00
-SPB	Square Top, add to CI	654.00
-U	Vandal Proof Grate	89.00

FLOOR DRAINS

FIG. 2365 MEDIUM DUTY FLOOR DRAIN WITH 12" ROUND ADJUSTABLE TOP AND "SAFE-SET" SEDIMENT BUCKET

FUNCTION: Used in moderate traffic areas in any type of floor construction where accurate positioning of grate is necessary to meet the finished floor level and where the waste water contains solids and debris that must be intercepted. Large top will accept higher flow rates. iSafe-Set" design insures bucket replacement after cleaning since top grate cannot be inserted unless bucket is in place.



A OUTLET SIZE	TOP SIZE	FREE AREA SQ IN	B	DUCO CI	DUCO CI PB TOP	DUCO CI NB TOP	APPROX. WEIGHT LBS
02"	12"	25.5	6 7/8"	1,440.00	1,835.00	1,897.00	95
03"	12"	25.5	6 3/8"	1,440.00	1,835.00	1,897.00	95
04"	12"	25.5	5 7/8"	1,440.00	1,835.00	1,897.00	95
05"	12"	25.5	5"	1,440.00	1,835.00	1,897.00	97
06"	12"	25.5	4 1/2"	1,440.00	1,835.00	1,897.00	97

REGULARLY FURNISHED: Duco Cast Iron Body and Flashing Collar with Adjustable Top and Bar Grate with Sediment Bucket.

OUTLET VARIATIONS (Specify type of outlet and pipe size in inches.)

Outlet Type	Outlet Designation Outlet Type/Pipe Size	"F" Body HT. DIM.	ADD
Inside Caulk	C02	8 5/8"	N/C
	C03, C04	8 3/4"	N/C
	C05, C06	8 1/2"	N/C
Threaded	T02	8 5/8"	N/C
	T03, T04	8 3/4"	N/C
	T05, T06	8 1/2"	N/C
No-Hub	Y02	8 5/8"	N/C
	Y03, Y04	8 3/4"	N/C
	Y05, Y06	See Fig. 2646Y	

OPTIONS:

Option	Description	ADD
-E	Ext, ea 2" or fract	150.00
-G	Galvanized CI	635.00
-H	Hinged Grate	156.00
-M	Ductile Iron Grate Only	157.00
-MBG	Ductile Iron Bucket & Grate	416.00
-S	Square Top, CI	208.00
-SNB	Square Top, add to CI	753.00
-SPB	Square Top, add to CI	654.00
-U	Vandal Proof Grate	89.00

