



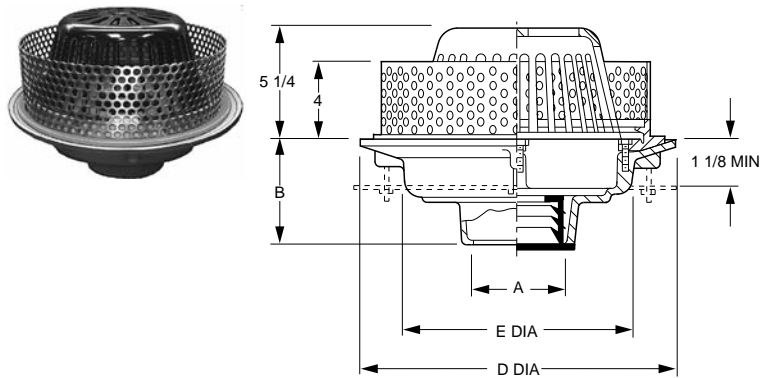
ROOF DRAINS

FIG. 1011 IRMA ROOF APPLICATIONS

FUNCTION: Used in roof systems where the insulated membrane assembly method of waterproofing is provided. Fig. 1011 is used where built-up felt and asphalt waterproofing is installed. A 4" high perforated stainless steel gravel stop is supplied to retain the crushed gravel used in IRMA flat roof construction.



ROOF DRAINS



A OUTLET SIZE	D FLANGE DIA.	E DIA.	FREE AREA SQ IN	†DUCO CI POLY DOME	DUCO CI W/ ALUM DOME	APPROX. WEIGHT LBS
02, 03, 04"	15 1/4"	11"	102.5	909.00	1,058.00	28
05, 06"	15 1/4"	11"	102.5	1,091.00	1,240.00	28

A OUTLET SIZE	D FLANGE DIA.	E DIA.	FREE AREA SQ IN	**†DUCO CI CI DOME	DUCO CI W/ ALUM DOME	APPROX. WEIGHT LBS
08"	20"	16"	228	1,624.00	1,980.00	36
10"	20"	16"	228	1,787.00	2,143.00	41

**Add 218.00 for Galvanized Cast Iron Dome.

REGULARLY FURNISHED: Duco Cast Iron Body with Flashing Clamp, 1/16" Thick, 4" High Stainless Steel Perforated Gravel Stop with 3/8" Dia. Openings and Dome.

OUTLET VARIATIONS (Specify type of outlet and pipe size in inches.)

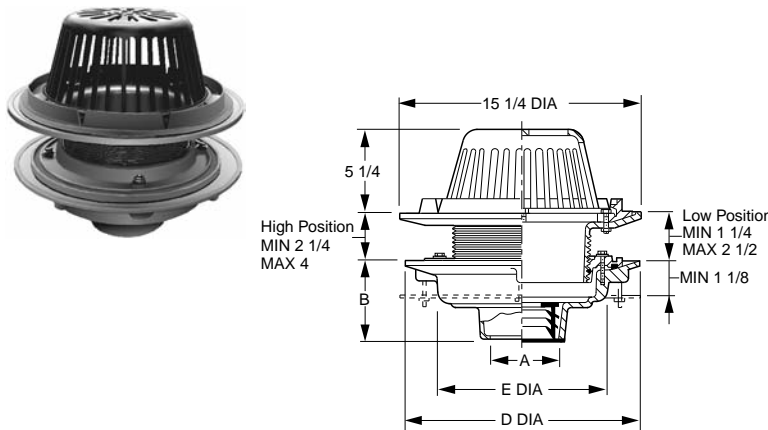
Outlet Type	Outlet Designation	Outlet Type/Pipe Size	"B" Body HT. DIM.	ADD
Inside Caulk	C02, C03, C04, C05, C06	5"	N/C
		7 3/4"	N/C
Speedi-Set SW	L02, L03, L04	5"	N/C
		5"	N/C
Threaded	T02, T03, T04, T05, T06	3 3/4"	47.00
		7 3/4"	47.00
No-Hub	Y02, Y03, Y04, Y05, Y06	5"	N/C
		7 3/4"	N/C

OPTIONS:

OPTION	DESCRIPTION	ADD
-AA	Aluminum Body	POA
-C	Aluminum Underdeck Clamp (15 & 16" Flange Bodies)	146.00
-C	Cast Iron Underdeck Clamp (20" Flange Bodies)	292.00
-CID	CI Dome (when not reg. furn.)	128.00
-CIDG	Cast Iron Dome with Galvanizing	346.00
-CID8	8" High CI Dome	279.00
-CL	Angular Underdeck Clamp	296.00
-DE	Deck Elevation Extension	627.00
-G	Galvanized CI	582.00
-GG	Perf SS Gravel Stop over 4", per inch	46.00
-PDSSM	SS Mesh on Poly Dome	305.00
-R	Sump Receiver	164.00
-R	Sump Receiver (20" Flange Bodies)	327.00
-RBD	Rough Bronze Dome	504.00
-RDP	Roof Deck Plate (15 & 16" Flange Bodies)	264.00
-RDP	Roof Deck Plate (20" Flange Bodies)	469.00
-SSM	SS Mesh on Metal Dome	305.00
-U	Vandal Proof Dome	75.00

FIG. 1015 ROOF DRAIN WITH ADJUSTABLE EXTENSION

FUNCTION: Used in flat roofs of any construction. The adjustable extension sleeve permits adjustment from a minimum of 1 1/4" to a maximum of 4", easily accommodating up to 2 3/4" of varying insulation thicknesses. The positive threading allows smooth perimeter movement and circumferential support of the top at any adjusted elevation. Large low profile dome provides sufficient free area for quick drainage of rainwater and protection against debris.



A OUTLET SIZE	D FLANGE DIA.	E DIA.	FREE AREA SQ IN	†DUCO CI Poly Dome	APPROX. WEIGHT LBS
02, 03, 04"	15 1/4"	11"	102.5	860.00	54
05, 06"	15 1/4"	11"	102.5	1,044.00	54
08"	16"	12 1/2"	102.5	1,231.00	58

REGULARLY FURNISHED: Duco Cast Iron Body with Adjustable Extension Sleeve, Reversible Collar, Combined Flashing Clamp and Gravel Stop, with Polyethylene Dome.

OUTLET VARIATIONS (Specify type of outlet and pipe size in inches.)

Outlet Type	Outlet Designation	Outlet Type/Pipe Size	"B" Body HT. DIM.	ADD
Inside Caulk	C02, C03, C04, C05, C06	5"	N/C
		6"	N/C
Speedi-Set SW	L02, L03, L04	5"	N/C
		5"	N/C
Threaded	T02, T03, T04, T05, T06	3 3/4"	47.00
		5"	47.00
No-Hub	Y02, Y03, Y04, Y05, Y06	5"	N/C
		6"	N/C

OPTIONS:

OPTION	DESCRIPTION	ADD
-AA	Aluminum Body	POA
-AD	Aluminum Dome	149.00
-C	Aluminum Underdeck Clamp	146.00
-C2	Secondary Flashing Clamp	112.00
-CID	CI Dome	128.00
-CIDG	Cast Iron Dome with Galvanizing	346.00
-CID8	8" High CI Dome	279.00
-CL	Angular Underdeck Clamp	296.00
-DE	Deck Elevator Extension	627.00
-G	Galvanized CI	785.00
-PDSSM	SS Mesh on Poly Dome	305.00
-R	Sump Receiver	164.00
-RBD	Rough Bronze Dome	504.00
-RDP	Roof Deck Plate	264.00
-SSM	SS Mesh on Metal Dome	305.00
-U	Vandal Proof Dome	75.00

