



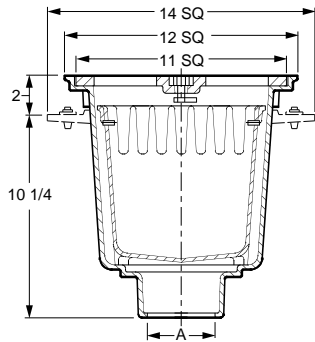
FLOOR DRAINS

FIG. 2410 TRAFFIC FLOOR DRAIN WITH 12" SQUARE TOP AND FREE STANDING SEDIMENT BUCKET



FUNCTION: Used in boiler rooms, industrial plants and other applicable areas where waste water contains debris or salvageable materials which must be intercepted. Large hinged grate permits easy access for bucket removal.

2410
Same as
2415
less Flange



A OUTLET SIZE	TOP SIZE	FREE AREA SQ IN	DUCO CI	DUCO CI PB TOP	DUCO CI NB TOP	APPROX. WEIGHT LBS
03, 04"	12" SQ	27	1,239.00	1,793.00	1,905.00	85
05, 06"	12" SQ	27	1,239.00	1,793.00	1,905.00	85

REGULARLY FURNISHED: Duco Cast Iron Body with Hinged Grate, Locking Device and Sediment Bucket.

OUTLET VARIATIONS (Specify type of outlet and pipe size in inches.)

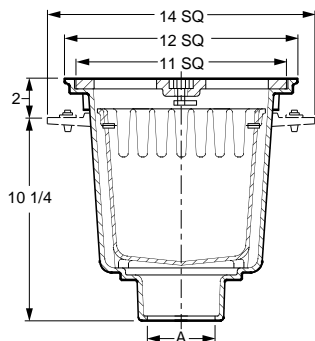
Outlet Type	Outlet Designation Outlet Type/Pipe Size	ADD
Inside Caulk	C03, C04, C05, C06	N/C
Threaded	T03, T04, T05, T06	47.00
No-Hub	Y03, Y04, Y05, Y06	N/C

OPTIONS:	ADD
-AB Aluminum Bucket	230.00
-ARI ARC Inside	474.00
-ARIO ARC In and Out	628.00
-FBSCI Flat Bottom Strainer, CI	58.00
-G Galvanized CI	540.00
-M Ductile Iron Grate	367.00
-P Trap Primer Conn	99.00
-SC Solid Scor Cover	294.00
-SSM SS Mesh on Bucket	253.00
-U Vandal Proof Grate	89.00

	DEDUCT
-LB Less Bucket	101.00
-LLD Less Locking Device	190.00
-LSG Loose Set Grate	334.00

FIG. 2415 TRAFFIC FLOOR DRAIN WITH 12" SQUARE TOP AND FREE STANDING SEDIMENT BUCKET

FUNCTION: Used in boiler rooms, industrial plants and other applicable areas where waste water contains debris or salvageable materials which must be intercepted. Large hinged grate permits easy access for bucket removal.



A OUTLET SIZE	TOP SIZE	FREE AREA SQ IN	DUCO CI	DUCO CI PB TOP	DUCO CI NB TOP	APPROX. WEIGHT LBS
03, 04"	12" SQ	27	1,239.00	1,793.00	1,905.00	85
05, 06"	12" SQ	27	1,239.00	1,793.00	1,905.00	85

REGULARLY FURNISHED: Duco Cast Iron Body with Hinged Grate, Locking Device and Sediment Bucket.

OUTLET VARIATIONS (Specify type of outlet and pipe size in inches.)

Outlet Type	Outlet Designation Outlet Type/Pipe Size	ADD
Inside Caulk	C03, C04, C05, C06	N/C
Threaded	T03, T04, T05, T06	47.00
No-Hub	Y03, Y04, Y05, Y06	N/C

OPTIONS:	ADD
-AB Aluminum Bucket	230.00
-ARI ARC Inside	474.00
-ARIO ARC In and Out	628.00
-C Flashing Clamp	N/C
-FBSCI Flat Bottom Strainer, CI	58.00
-G Galvanized CI	540.00
-M Ductile Iron Grate	367.00
-P Trap Primer Conn	99.00
-SSM SS Mesh on Bucket	253.00
-SC Solid Scor Cover	294.00
-U Vandal Proof Grate	89.00

	DEDUCT
-LB Less Bucket	101.00
-LLD Less Locking Device	190.00
-LSG Loose Set Grate	334.00

