



## Control4® Door Station Back Box

The Control4® Door Station delivers full-motion video intercom and the fidelity of wideband audio intercom for crystal-clear communications and video security throughout a home or business. The Door Station comes in 3 stylish colors—Satin Nickel, Satin Black and Venetian Bronze—and provides audio and video intercom communications with the Control4 7" In-Wall Touch Screen with Camera and the new Control4 7" Portable Touch Screen with Camera. It is also capable of audio-only intercom communications with Control4 5" and 7" In-Wall Touch Screens (C4-TSWMCT-EG-XX and C4-TSWMC7-EG-XX). To enable video and/or audio intercom functionality you must purchase an optional Control4 Intercom License (C4-Intercom-E ) which activates the intercom functionality on any intercom-capable devices. The Door Station will be available in Q2 2012, but Door Station Back Boxes and Antenna Kits can be ordered now for pre-installation.

### Control4® Door Station Metal Back Box C4-DSBB-M

Dimensions (H×W×D)

4.1" (104 mm) X 6.1" (156 mm) X 3.0" (76 mm)



The recommended wiring when installing the Door Station Back Box is a single CAT5 cable powered by PoE (Power over Ethernet) and a ground wire (to earth ground).

Note: WiFi configurations will require a strong 802.11n or g signal where the door station will be mounted and one of the two WiFi antenna accessory kits listed above.

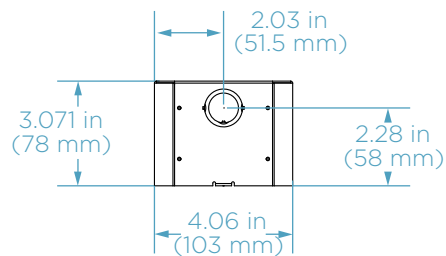
**For product photos, documentation and installation instructions visit:**  
<http://www.control4.com/dealer/products/security/doorstation>

Control4™

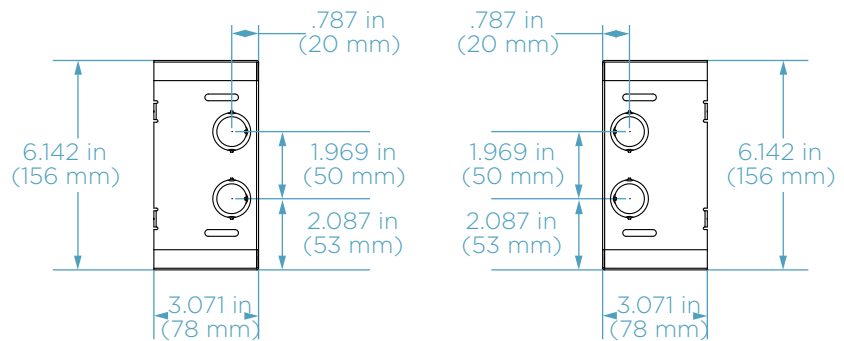


## Door Station Metal Back Box

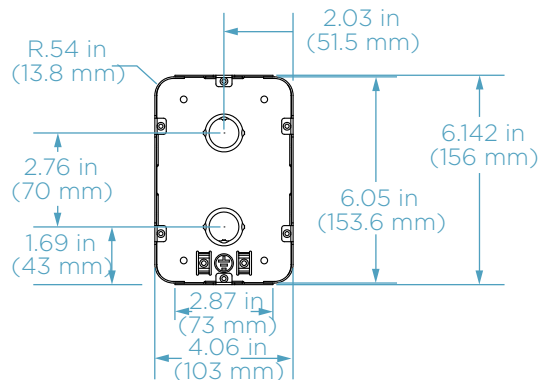
Side View



Top View



Back View



All Tolerances are :  $\pm 0.01$  in ( $\pm 0.25$  mm)

Control4™