

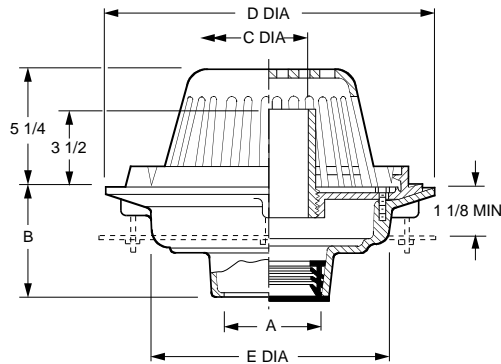


ROOF DRAINS

FIG. 1070 - OVERFLOW DRAINS



FUNCTION: Used in flat roofs of any construction where a constant height of water is desired on the roof. It is also used on conventional roofs as a safety overflow, which receives water only when the build-up is greater than the setting of the standpipe. Standpipe type water dam can be cut to achieve various water depths on the roof.



A OUTLET SIZE	C DIA.	D FLANGE DIA.	E DIA.	FREE AREA SQ IN	†DUCO CI POLY DOME	APPROX. WEIGHT LBS
02, 03, 04"	4"	15 1/4"	11"	102.5	688.00	65
05, 06"	6"	15 1/4"	11"	102.5	871.00	72
08"	8"	16"	12 1/2"	102.5	1,056.00	86

REGULARLY FURNISHED: Duco Cast Iron Body, Flashing Clamp and Gravel Stop with Polyethylene Dome and P.V.C. Standpipe.

OUTLET VARIATIONS (Specify type of outlet and pipe size in inches.)

Outlet Type	Outlet Designation Outlet Type/Pipe Size	"B" Body HT. DIM.	ADD
Inside Caulk	C02, C03, C04, C05, C06	5"	N/C
	C08	6"	N/C
	L02, L03, L04	5"	N/C
Speedi-Set SW	LXH02, LXH03, LXH04	5"	N/C
Speedi-Set XH	T02, T03, T04, T05, T06	3 3/4"	47.00
Threaded	T08	5"	47.00
	Y02, Y03, Y04, Y05, Y06	5"	N/C
No-Hub	Y08	6"	N/C

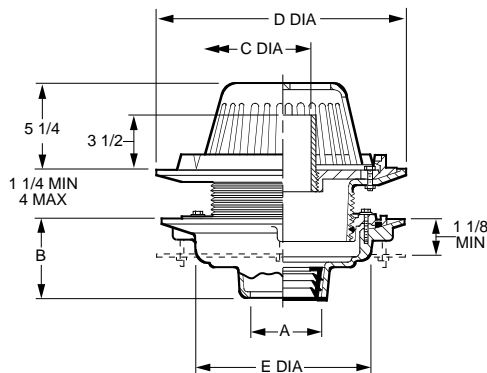
OPTIONS:

	ADD
-AD Aluminum Dome	149.00
-BZS Bronze Standpipe	193.00
-C Aluminum Underdeck Clamp	146.00
-C2 Secondary Flashing Clamp	112.00
-CID CI Dome	128.00
-CIDG Cast Iron Dome with Galvanizing	346.00
-CID8 8" High CI Dome	279.00
-CIS Cast Iron Standpipe	146.00
-CL Angular Underdeck Clamp	296.00
-DX Wide Flange	801.00
-DE Deck Elevator Extension	627.00
-E Extension up to 4" per inch over 4"	95.00
-G Galvanized Cast Iron	582.00
-R Sump Receiver	164.00
-RBD Rough Bronze Dome	504.00
-RDP Roof Deck Plate	264.00
-SSM SS Mesh on Metal Dome	305.00
-U Vandal Proof Dome	75.00

FIG. 1074 - ADJUSTABLE TOP WITH STANDPIPE

FUNCTION: Used in flat roofs of any construction where a constant height of water is desired on the roof. It is also used on conventional roofs as a safety overflow, which receives water only when the build-up is greater than the setting of the cut standpipe. Standpipe type water dam can be cut to achieve various water depths on the roof. Wide clamping surface holds flashing and roofing materials without puncturing. Large low profile dome provides sufficient free area for quick drainage of rain water and protects the drain sump and connected piping from the intrusion of debris.

1074
Same as
1070 with
Adjustable
Extension



A OUTLET SIZE	C DIA.	D FLANGE DIA.	E DIA.	FREE AREA SQ IN	†DUCO CI POLY DOME	APPROX. WEIGHT LBS
02, 03, 04"	4"	15 1/4"	11"	102.5	1,118.00	65
05, 06"	6"	15 1/4"	11"	102.5	1,300.00	72
08"	8"	16"	12 1/2"	102.5	1,487.00	86

REGULARLY FURNISHED: Duco Cast Iron Body with Adjustable Extension Sleeve, Reversible Collar, P.V.C. Standpipe, Polyethylene Dome and Combined Flashing Clamp and Gravel Stop.

OUTLET VARIATIONS (Specify type of outlet and pipe size in inches.)

Outlet Type	Outlet Designation Outlet Type/Pipe Size	"B" Body HT. DIM.	ADD
Inside Caulk	C02, C03, C04, C05, C06	5"	N/C
	C08	6"	N/C
	L02, L03, L04	5"	N/C
Speedi-Set SW	LXH02, LXH03, LXH04	5"	N/C
Speedi-Set XH	T02, T03, T04, T05, T06	3 3/4"	47.00
Threaded	T08	5"	47.00
	Y02, Y03, Y04, Y05, Y06	5"	N/C
No-Hub	Y08	6"	N/C

OPTIONS:

	ADD
-AD Aluminum Dome	149.00
-BZS Bronze Standpipe	193.00
-C Underdeck Clamp	146.00
-C2 Secondary Flashing Clamp	112.00
-CID CI Dome	128.00
-CIDG Cast Iron Dome with Galvanizing	346.00
-CID8 8" High CI Dome	279.00
-CL Angular Underdeck Clamp	296.00
-CIS Cast Iron Standpipe	146.00
-DE Deck Elevator Extension	627.00
-DX Wide Flange	801.00
-G Galvanized Cast Iron	785.00
-R Sump Receiver	164.00
-RBD Rough Bronze Dome	504.00
-RDP Roof Deck Plate	264.00
-SSM SS Mesh on Metal Dome	305.00
-U Vandal Proof Dome	75.00

†REGULARLY FURNISHED

