

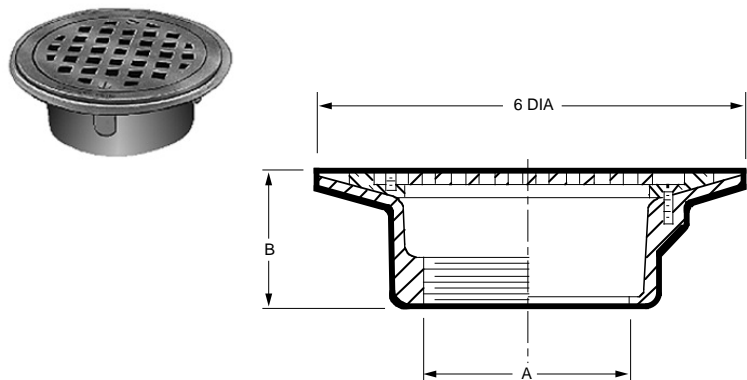


ROOF DRAINS

FIG. 1610 FLAT STRAINER - BOTTOM OUTLET GUTTER DRAIN



FUNCTION: Used in gutters where a drain is required for connecting to the downspout leader. Flashing arrangement design permits removal of dome or flat strainer without disturbing flashing clamp and gutter liner. Does not obstruct traffic.



OUTLET VARIATIONS (Specify type of outlet and pipe size in inches.)

Outlet Type	Outlet Designation Outlet Type/Pipe Size	ADD
Inside Caulk	C02	N/C
Threaded	T02, T03, T04	N/C

OPTIONS:

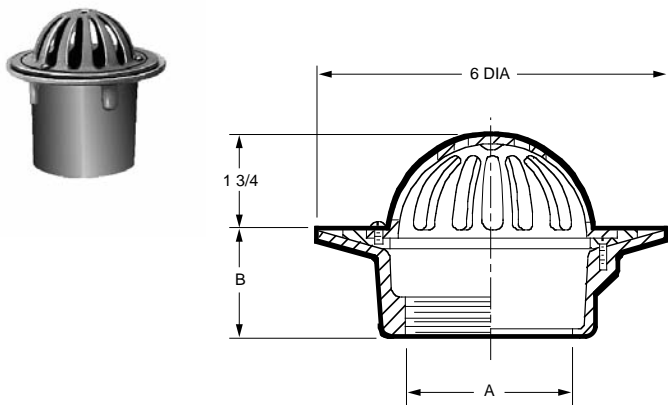
Option	Description	ADD
-CP	Chrome Plated Grate	138.00
-G	Galvanized Cast Iron	100.00
-NB	Nickel Bronze Grate	124.00
-PB	Polished Bronze Grate	74.00
-SSM	SS Mesh on Grate	71.00
-U	Vandal Proof Grate	33.00
	2" High Water Dam on Collar	227.00

A OUTLET SIZE	B BODY HT.	FLANGE DIA	FREE AREA SQ IN	†DUCO CI RB TOP	ALL ROUGH BRZ (-BB)	APPROX. WEIGHT LBS
02, 03"	2"	6"	7	253.00	421.00	4
03"	4"	6"	7	480.00	679.00	5
04"	4"	6"	7	675.00	1,201.00	6

REGULARLY FURNISHED: Duco Cast Iron Body with Bronze Flashing Clamp and Bronze Top Secured with Brass Screws.

FIG. 1620 LOW DOME - BOTTOM OUTLET GUTTER DRAIN

FUNCTION: Used in gutters where a drain is required for connecting to the downspout leader. Flashing arrangement design permits removal of dome or flat strainer without disturbing flashing clamp and gutter liner. Intercepts debris and allows adequate drainage in gutters and valleys.



OUTLET VARIATIONS (Specify type of outlet and pipe size in inches.)

Outlet Type	Outlet Designation Outlet Type/Pipe Size	ADD
Inside Caulk	C02	N/C
Threaded	T02, T03, T04	N/C

OPTIONS:

Option	Description	ADD
-CP	Chrome Plated Dome	138.00
-G	Galvanized Cast Iron	100.00
-NB	Nickel Bronze Dome	124.00
-PB	Polished Bronze Dome	74.00
-SSM	SS Mesh on Dome	143.00
-U	Vandal Proof Dome	33.00
	2" High Water Dam on Collar	227.00

A OUTLET SIZE	B BODY HT.	FLANGE DIA	FREE AREA SQ IN	†DUCO CI RB TOP	ALL ROUGH BRZ (-BB)	APPROX. WEIGHT LBS
02, 03"	2"	6"	8	253.00	421.00	4
02, 03"	4"	6"	8	480.00	649.00	5
04"	4"	6"	8	675.00	1,201.00	6

REGULARLY FURNISHED: Duco Cast Iron Body with Bronze Flashing Clamp and Bronze Top Secured with Brass Screws.

