

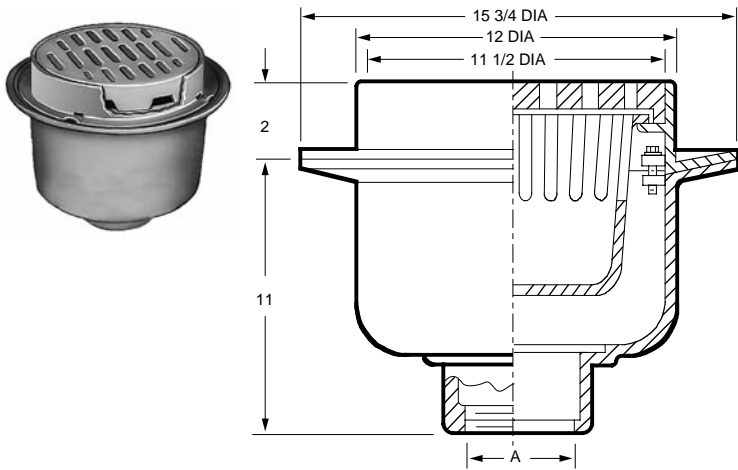


FLOOR DRAINS



FIG. 2243 DEEP BODY HEAVY DUTY FLOOR DRAIN WITH 12" TOP W/TRACTOR GRATE AND SUSPENDED SLOTTED SEDIMENT BUCKET

FUNCTION: Used in heavy traffic areas where debris is anticipated and must be intercepted. Large deep body and bucket are adaptable to areas where heavy flow and considerable debris are expected.



A OUTLET SIZE	TOP SIZE	FREE AREA SQ IN	†DUCO CI	DUCO CI PB TOP	DUCO CI NB TOP	APPROX. WEIGHT LBS
02, 03, 04"	12"	29	1,085.00	1,480.00	1,542.00	84
05, 06"	12"	29	1,085.00	1,480.00	1,542.00	86

REGULARLY FURNISHED: Duco Cast Iron Body and Flashing Collar with Cast Iron Grate and Suspended Slotted Sediment Bucket.

OUTLET VARIATIONS (Specify type of outlet and pipe size in inches.)

Outlet Type	Outlet Designation Outlet Type/Pipe Size	ADD
Inside Caulk	C02, C03, C04, C05, C06	N/C
Threaded	T02, T03, T04, T05, T06	47.00
No-Hub	Y02, Y03, Y04, Y05, Y06	N/C

OPTIONS:

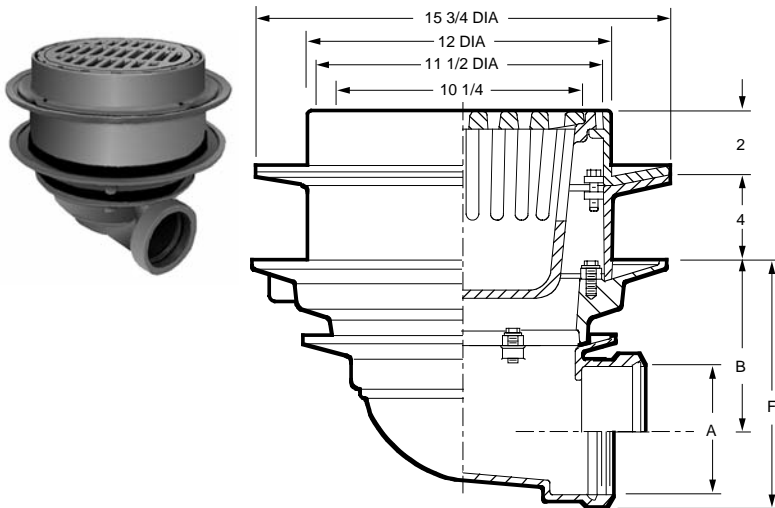
Option	Description	ADD
-DG	Deflector Grate	207.00
-FBSCI	Flat Bottom Strainer, CI	58.00
-G	Galvanized CI	737.00
-H	*Hinged Grate	156.00
-M	Ductile Iron Grate	161.00
-P	Trap Primer Conn	99.00
-S	Square Top, CI	208.00
-SC	Solid Scoriated Cover	354.00
-SNB	Square Top, add to CI	753.00
-SPB	Square Top, add to CI	654.00
-U	Vandal Proof Grate	89.00

*When hinged grate is specified, drain becomes light duty.

FLOOR DRAINS

FIG. 2245 DEEP BODY MEDIUM DUTY FLOOR DRAIN WITH 12" ROUND TOP AND "SAFE SET" SEDIMENT BUCKET

FUNCTION: For general use where water contains solids and debris that must be intercepted. Large deep body and bucket are adaptable to areas where heavy flow and considerable debris are anticipated. "Safe-Set" design insures bucket replacement after cleaning since top grate cannot be inserted unless bucket is in place.



A OUTLET SIZE	TOP SIZE	FREE AREA SQ IN	B	†DUCO CI	DUCO CI PB TOP	DUCO CI NB TOP	APPROX. WEIGHT LBS
02"	12"	25.5	6 7/8	1,657.00	2,052.00	2,114.00	82
03"	12"	25.5	6 3/8	1,657.00	2,052.00	2,114.00	82
04"	12"	25.5	5 7/8	1,657.00	2,052.00	2,114.00	82
05"	12"	25.5	5	1,657.00	2,052.00	2,114.00	84
06"	12"	25.5	4 1/2	1,657.00	2,052.00	2,114.00	84

REGULARLY FURNISHED: Duco Cast Iron Body and Flashing Collar with Cast Iron Grate and Slotted Sediment Bucket.

OUTLET VARIATIONS (Specify type of outlet and pipe size in inches.)

Outlet Type	Outlet Designation Outlet Type/Pipe Size	"F" Body HT. DIM.	ADD
Inside Caulk	C02	8 5/8"	N/C
	C03, C04	8 3/4"	N/C
	C05, C06	8 1/2"	N/C
Threaded	T02	8 5/8"	N/C
	T03, T04	8 3/4"	N/C
	T05, T06	8 1/2"	N/C
No-Hub	Y02	8 5/8"	N/C
	Y03, Y04	8 3/4"	N/C
	Y05, Y06	See Fig. 2646Y	

OPTIONS:

Option	Description	ADD
-G	Galvanized CI	799.00
-H	Hinged Grate*	156.00
-S	Square Top, CI	208.00
-SC	Solid Scoriated Cover	354.00
-SNB	Square Top, add to CI	753.00
-SPB	Square Top, add to CI	654.00
-U	Vandal Proof Grate	89.00

*Hinged grate not available in Safe-Set design. Full Grate is provided with a suspended bucket.

