



CLEANOUTS

FIG. 4550, 4555 SERIES CLEANOUT TEE W/SQUARE FRAME AND COVER

FUNCTION: Used in concealed drainage lines where a cleanout is desired. Face-of-Wall Cover should be used for tile, masonry or drywall construction. The Flush-with-Wall cover is ideal for plaster or wet wall construction.

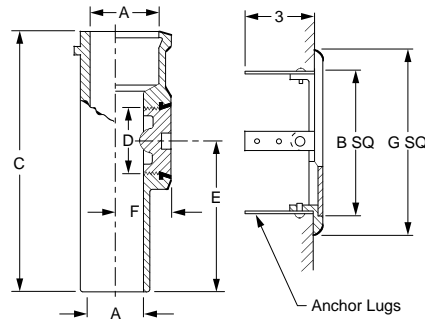


Fig. 4550

OPTIONS:

- U Vandal Proof Screw (1/4-20 X 2 1/2")58.00
- Y No-Hub Tee (02, 03, 4" only)N/C

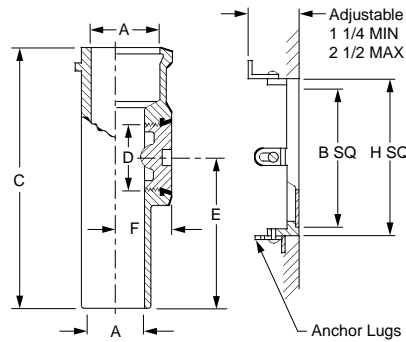


Fig. 4555

FACE OF WALL COVER		A - PIPE SIZE:	02"	03"	04"	05"	06"	
With Cast Iron Plug	Gasket Seal Plug	COVER MATERIAL						
		†CP Frame & Cover (-CP)	542.00	574.00	673.00	1,094.00	1,406.00	
		NB Frame & Cover (-NB)	506.00	538.00	637.00	1,042.00	1,345.00	
		PB Frame & Cover (-PB)	456.00	488.00	587.00	974.00	1,274.00	
With Bronze Plug	Gasket Seal Plug	†CP Frame & Cover (-CP)	661.00	692.00	790.00	1,212.00	1,780.00	
		NB Frame & Cover (-NB)	625.00	656.00	754.00	1,160.00	1,719.00	
		PB Frame & Cover (-PB)	575.00	606.00	704.00	1,092.00	1,648.00	
		†CP Frame & Cover (-CP)	661.00	692.00	790.00	1,212.00	1,780.00	
With Bronze Plug	Taper Thread Plug	NB Frame & Cover (-NB)	625.00	656.00	754.00	1,160.00	1,719.00	
		PB Frame & Cover (-PB)	575.00	606.00	704.00	1,092.00	1,648.00	
		FLUSH WITH WALL COVER						
		With Cast Iron Plug	Gasket Seal Plug	†CP Frame & Cover (-CP)	542.00	574.00	673.00	1,094.00
NB Frame & Cover (-NB)	506.00			538.00	637.00	1,042.00	1,345.00	
PB Frame & Cover (-PB)	456.00			488.00	587.00	974.00	1,274.00	
With Bronze Plug	Gasket Seal Plug			†CP Frame & Cover (-CP)	661.00	692.00	790.00	1,212.00
		NB Frame & Cover (-NB)	625.00	656.00	754.00	1,160.00	1,719.00	
		PB Frame & Cover (-PB)	575.00	606.00	704.00	1,092.00	1,648.00	
		With Bronze Plug	Taper Thread Plug	†CP Frame & Cover (-CP)	661.00	692.00	790.00	1,212.00
NB Frame & Cover (-NB)	625.00			656.00	754.00	1,160.00	1,719.00	
PB Frame & Cover (-PB)	575.00			606.00	704.00	1,092.00	1,648.00	
C	10 1/2"			11 3/4"	12"	*13"	16"	
D SIZE	1 1/2"	2 1/2"	3 1/2"	4 1/2"	6"			
E	6 1/4"	7"	7"	8 1/2"	9"			
F	2"	2 1/2"	3"	4"	4 1/2"			
G SQ	7 3/4"	7 3/4"	7 3/4"	9 3/4"	11 3/4"			
H SQ	6 1/2"	6 1/2"	6 1/2"	8 1/2"	10 1/2"			

*This Dimension becomes 15" for the 4553 and 4558.

REGULARLY FURNISHED: Duco Cast Iron Cleanout Tee and Countersunk Plug with Chrome Plated Bronze Square Frame and Secured Cover. Type of Cover as Indicated by Figure Number Selected.

Spigot Outlet sized for service weight and/or No-Hub.

CLEANOUTS

