



CLEANOUTS

FIG. 4438, 4439 CAULK FERRULE CLEANOUT LEAD SEAL PLUG W/FRAME AND SCORIATED COVER



FUNCTION: Used in hub openings where a floor or wall cover is required. Ribbing on outside of ferrule prevents turning of ferrule in the caulking lead.

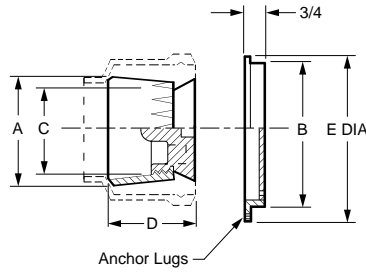


Fig. 4438

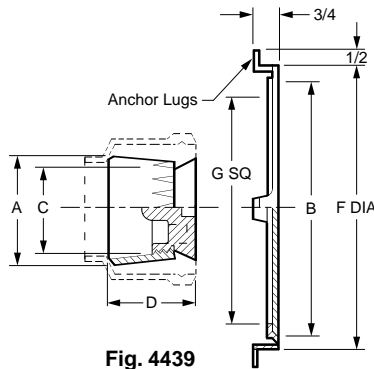


Fig. 4439

OPTIONS:

- BB Cast Bronze Ferrule POA
- BP Cast Bronze Lead Seal Plug 117.00
- 02, 03, 04, 05" 373.00
- 06, 08" 78.00
- TH Plug Tapped 1/4-20 Thread w/T Handle for Plug 58.00
- U Vandal Proof Screw 84.00
- Cover Drilled in Center and Furnished with 1/4-20 x 2 1/2" Long Screw

		COVER MATERIAL	A - PIPE SIZE:	02"	03"	04"	05"	06"	08"
			B - COVER SIZE DIA:	4"	5 1/2"	6"	6"	8"	10"
4438	Flush Type Cover	Chrome Plated (-CP)		299.00	334.00	368.00	430.00	664.00	1,140.00
		†Nickel Bronze (-NB)		271.00	306.00	340.00	402.00	628.00	1,012.00
		Polished Bronze (-PB)		250.00	285.00	319.00	381.00	600.00	947.00
		COVER MATERIAL	A - PIPE SIZE:	02"	03"	04"	05"	06"	08"
			B - COVER SIZE SQ:	6 x 6"	6 x 6"	6 x 6"	8 x 8"	8 x 8"	10 x 10"
4439	Flush Type Cover	Chrome Plated (-CP)		424.00	458.00	492.00	726.00	796.00	1,056.00
		†Nickel Bronze (-NB)		424.00	458.00	492.00	726.00	796.00	1,056.00
		Polished Bronze (-PB)		376.00	410.00	444.00	657.00	727.00	985.00
			C - SIZE	1 1/2"	2 1/2"	3 1/2"	4 1/2"	5 1/2"	7 1/2"
			D	2 1/2"	2 3/4"	3"	3"	3"	3 1/2"
			E DIA	4 1/2"	5 3/4"	6 1/2"	6 1/2"	8 1/2"	10 1/2"
			F SQ	7"	7"	7"	9"	9"	11"
			G SQ	5 1/2"	5 1/2"	5 1/2"	7 1/2"	7 1/2"	9 1/2"

REGULARLY FURNISHED: Duco Cast Iron Caulk Ferrule with Cast Iron Lead Seal Plug and Secured Scoriated Nickel Bronze Cover and Frame with Anchor Lugs. Type of Cover as Indicated by Figure Number Selected.

CLEANOUTS

