

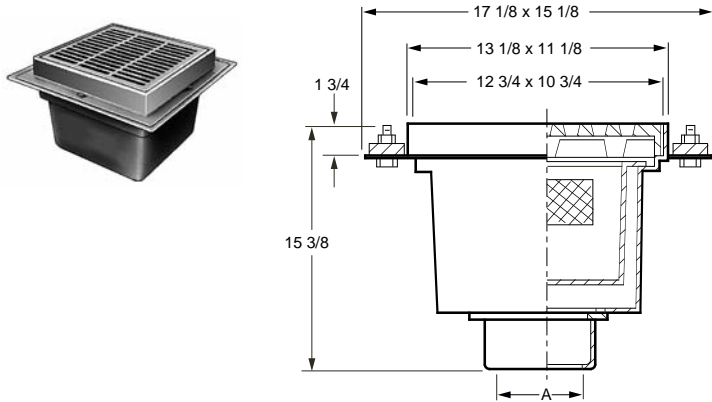


FLOOR DRAINS

FIG. 2450 TRAFFIC FLOOR DRAIN WITH LARGE CAPACITY SEDIMENT BUCKET



FUNCTION: Used in heavy traffic areas in industrial plants and boiler rooms. Solid bottom suspended sediment bucket collects debris such as sand, grit and other solids. Large top and deep body will handle large flow of water.



OUTLET VARIATIONS (Specify type of outlet and pipe size in inches.)

Outlet Type	Outlet Designation Outlet Type/Pipe Size	ADD
Inside Caulk	C03, C04, C05, C06	N/C
Threaded	T03, T04, T05, T06	N/C
No-Hub	Y03, Y04, Y05, Y06	N/C

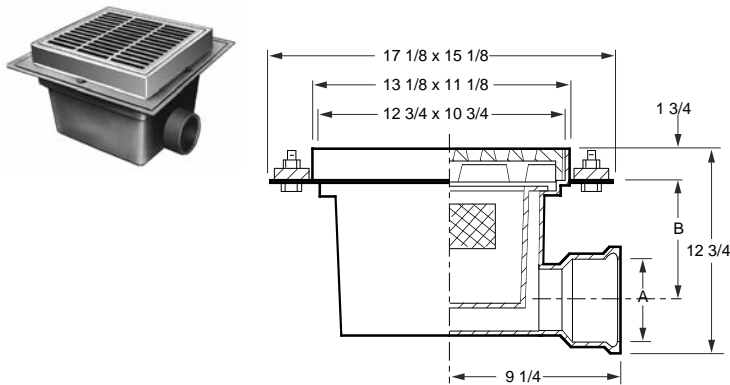
OPTIONS:	ADD
-C Flashing Clamp	117.00
-FBSCI Flat Bottom Strainer, CI	58.00
-GG Galvanized CI Grate	562.00
-M Ductile Iron Grate	373.00
-SSB SS Perforated Bucket	133.00

A OUTLET SIZE	TOP SIZE	FREE AREA SQ IN	†DUCO CI	DUCO CI PB TOP	DUCO CI NB TOP	APPROX. WEIGHT LBS
03, 04"	13 1/8 x 11 1/8"	40	2,100.00	2,904.00	2,992.00	100
05, 06"	13 1/8 x 11 1/8"	40	2,100.00	2,904.00	2,992.00	105

REGULARLY FURNISHED: Fabricated Steel Body with Galvanized Coating Inside and Outside and Cast Iron Grate and Stainless Steel Ported Bucket with Mesh Screen and Lift Bar.

FIG. 2455 TRAFFIC FLOOR DRAIN WITH LARGE CAPACITY SEDIMENT BUCKET

FUNCTION: Used in heavy traffic areas in industrial plants and boiler rooms. Solid bottom suspended sediment bucket collects debris such as sand, grit and other solids. Large top and deep body will handle large flow of water.



OUTLET VARIATIONS (Specify type of outlet and pipe size in inches.)

Outlet Type	Outlet Designation Outlet Type/Pipe Size	ADD
Inside Caulk	C03, C04, C05, C06	N/C
Threaded	T03, T04, T05, T06	N/C
No-Hub	Y03, Y04, Y05, Y06	N/C

OPTIONS:	ADD
-C Flashing Clamp	117.00
-GG Galvanized CI Grate	562.00
-M Ductile Iron Grate	373.00
-SSB SS Perforated Bucket	133.00

A OUTLET SIZE	TOP SIZE	FREE AREA SQ IN	B	†DUCO CI	DUCO CI PB TOP	DUCO CI NB TOP	APPROX. WEIGHT LBS
03"	13 1/8 x 11 1/8"	40	8 1/4"	2,246.00	3,050.00	3,138.00	105
04"	13 1/8 x 11 1/8"	40	7 3/4"	2,246.00	3,050.00	3,138.00	105
05"	13 1/8 x 11 1/8"	40	7 1/4"	2,246.00	3,050.00	3,138.00	110
06"	13 1/8 x 11 1/8"	40	6 3/4"	2,246.00	3,050.00	3,138.00	110

REGULARLY FURNISHED: Fabricated Steel Body with Galvanized Coating Inside and Outside and Cast Iron Grate and Stainless Steel Ported Bucket with Mesh Screen and Lift Bar.

