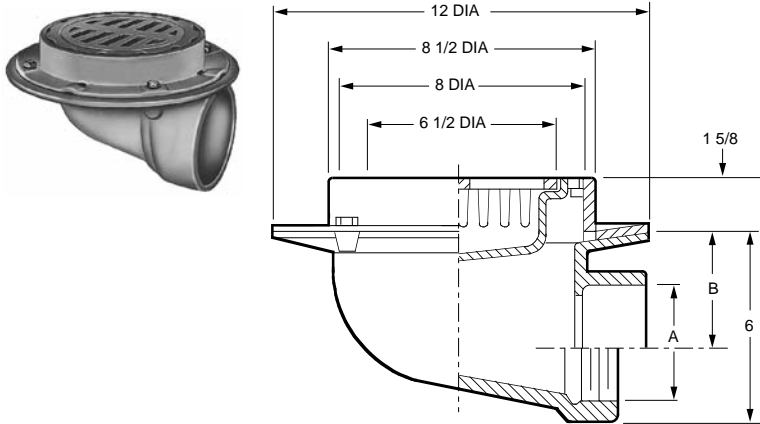




FLOOR DRAINS

FIG. 2225 LIGHT DUTY FLOOR DRAIN WITH 8 1/2" ROUND TOP AND "SAFE SET" SEDIMENT BUCKET WITH FLANGE

FUNCTION: For general light duty use where waste water contains solids or debris that must be prevented from entering drainage lines. "Safe-Set" design insures bucket replacement after cleaning since top grate cannot be inserted unless bucket is in place.



A OUTLET SIZE	TOP SIZE	FREE AREA SQ IN	B	†DUCO CI	DUCO CI PB TOP	DUCO CI NB TOP	APPROX. WEIGHT LBS
02"	8 1/2"	9.25	4 1/4"	628.00	894.00	957.00	30
03"	8 1/2"	9.25	3 3/4"	628.00	894.00	957.00	30
04"	8 1/2"	9.25	3 1/4"	628.00	894.00	957.00	30

REGULARLY FURNISHED: Duco Cast Iron Body and Flashing Collar with Cast Iron Grate and Sediment Bucket.

OUTLET VARIATIONS (Specify type of outlet and pipe size in inches.)

Outlet Type	Outlet Designation	Outlet Type/Pipe Size	Body HT. DIM.	ADD
Inside Caulk	C02, C03, C04		6"	N/C
Threaded	T02, T03, T04		6"	N/C
No-Hub	Y02, Y03, Y04			See Fig. 2646Y

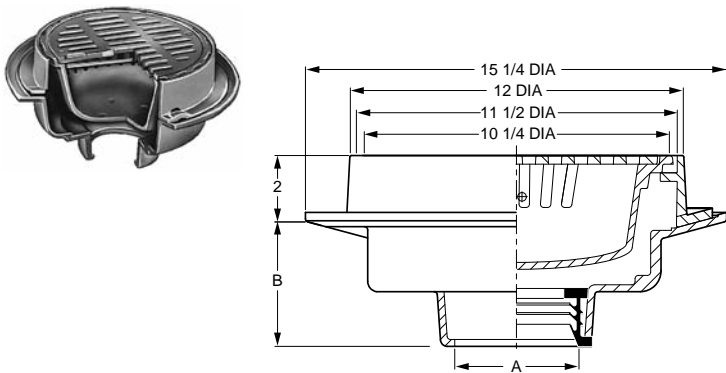
OPTIONS:

OPTION	Description	ADD
-D	Dome Grate, CI	50.00
-DNB	Dome Grate, add to CI	554.00
-DPB	Dome Grate, add to CI	441.00
-G	Galvanized CI	284.00
-MBG	Ductile Iron Bucket & Grate	304.00
-H	Hinged Grate	156.00
-P	Trap Primer Conn	99.00
-S	Square Top, CI	196.00
-SNB	Square Top, add to CI	571.00
-SPB	Square Top, add to CI	472.00
-U	Vandal Proof Grate	89.00

FLOOR DRAINS

FIG. 2230 MEDIUM DUTY FLOOR DRAIN WITH 12" ROUND TOP AND "SAFE SET" SEDIMENT BUCKET

FUNCTION: For general use where water contains solids or debris that must be intercepted. Large top is used where high flows are anticipated. "Safe-Set" design insures bucket replacement after cleaning since top grate cannot be inserted unless bucket is in place.



A OUTLET SIZE	TOP SIZE	FREE AREA SQ IN	†DUCO CI	DUCO CI PB TOP	DUCO CI NB TOP	APPROX. WEIGHT LBS
02, 03, 04"	12"	25.5	915.00	1,310.00	1,372.00	70
05, 06"	12"	25.5	915.00	1,310.00	1,372.00	72
08"	12"	25.5	1,102.00	1,497.00	1,559.00	74

REGULARLY FURNISHED: Duco Cast Iron Body and Flashing Collar with Cast Iron Grate and Slotted Sediment Bucket.

OUTLET VARIATIONS (Specify type of outlet and pipe size in inches.)

Outlet Type	Outlet Designation	Outlet Type/Pipe Size	"B" Body HT. DIM.	ADD
Inside Caulk	C02, C03, C04		5"	N/C
	C05, C06, C08		5"	N/C
Speedi-Set SW	L02, L03, L04		5"	N/C
Speedi-Set XH	LXH02, LXH03, LXH04		5"	N/C
Threaded	T02, T03, T04		3 3/4"	47.00
	T05, T06, T08		3 3/4"	47.00
No-Hub	Y02, Y03, Y04		5"	N/C
	Y05, Y06, Y08		5"	N/C

OPTIONS:

OPTION	Description	ADD
-ARI	ARC Inside	517.00
-ARIO	ARC In and Out	680.00
-FBSCI	Flat Bottom Strainer, CI	36.00
-G	Galvanized CI	589.00
-H	Hinged Grate	156.00
-MBG	Ductile Iron Bucket & Grate	452.00
-P	Trap Primer Conn	99.00
-S	Square Top, CI	208.00
-SNB	Square Top, add to CI	753.00
-SPB	Square Top, add to CI	654.00
-U	Vandal Proof Grate	89.00

