



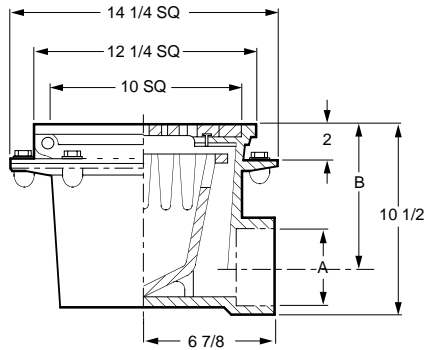
# FLOOR DRAINS



**FIG. 2420 TRAFFIC FLOOR DRAIN WITH 12" SQUARE TOP AND FREE STANDING SEDIMENT BUCKET**

**FUNCTION:** Used in boiler rooms, industrial plants and other applicable areas where waste water contains debris or salvageable materials which must be intercepted. Large hinged grate permits easy access for bucket removal.

**2420**  
Same as  
**2425**  
less Flange



A OUTLET SIZE	TOP SIZE	FREE AREA SQ IN	B	†DUCO CI	DUCO CI PB TOP	DUCO CI NB TOP	APPROX. WEIGHT LBS
03"	12" SQ	27	6 1/4"	1,353.00	1,907.00	2,019.00	65
04"	12" SQ	27	5 3/4"	1,353.00	1,907.00	2,019.00	65
05"	12" SQ	27	5 1/4"	1,353.00	1,907.00	2,019.00	65
06"	12" SQ	27	4 3/4"	1,353.00	1,907.00	2,019.00	65

**REGULARLY FURNISHED:** Duco Cast Iron Body with Hinged Grate, Locking Device and Sediment Bucket.

**OUTLET VARIATIONS** (Specify type of outlet and pipe size in inches.)

Outlet Type	Outlet Designation Outlet Type/Pipe Size	ADD
Inside Caulk Only	.....C03, C04, C05, C06	.....N/C

**OPTIONS:**

	ADD
-AB Aluminum Bucket	.....230.00
-ARI ARC Inside	.....474.00
-ARIO ARC In and Out	.....628.00
-G Galvanized CI	.....540.00
-M Ductile Iron Grate	.....367.00
-P Trap Primer Conn	.....99.00
-SC Solid Scor Cover	.....294.00
-SSM SS Mesh on Bucket	.....253.00
-U Vandal Proof Grate	.....89.00

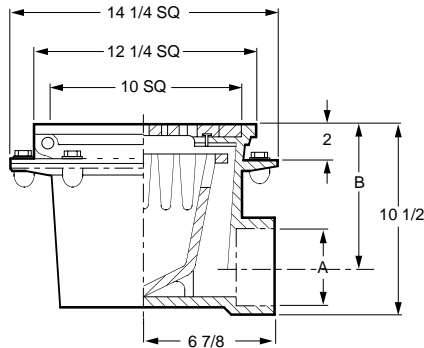
**DEDUCT**

-LB Less Bucket	.....101.00
-LLD Less Locking Device	.....190.00
-LSG Loose Set Grate	.....334.00

FLOOR DRAINS

**FIG. 2425 TRAFFIC FLOOR DRAIN WITH 12" SQUARE TOP AND FREE STANDING SEDIMENT BUCKET**

**FUNCTION:** Used in boiler rooms, industrial plants and other applicable areas where waste water contains debris or salvageable materials which must be intercepted. Large hinged grate permits easy access for bucket removal.



A OUTLET SIZE	TOP SIZE	FREE AREA SQ IN	B	†DUCO CI	DUCO CI PB TOP	DUCO CI NB TOP	APPROX. WEIGHT LBS
03"	12" SQ	27	6 1/4"	1,353.00	1,907.00	2,019.00	65
04"	12" SQ	27	5 3/4"	1,353.00	1,907.00	2,019.00	65
05"	12" SQ	27	5 1/4"	1,353.00	1,907.00	2,019.00	65
06"	12" SQ	27	4 3/4"	1,353.00	1,907.00	2,019.00	65

**REGULARLY FURNISHED:** Duco Cast Iron Body with Hinged Grate, Locking Device and Sediment Bucket.

**OUTLET VARIATIONS** (Specify type of outlet and pipe size in inches.)

Outlet Type	Outlet Designation Outlet Type/Pipe Size	ADD
Inside Caulk Only	.....C03, C04, C05, C06	.....N/C

**OPTIONS:**

	ADD
-AB Aluminum Bucket	.....230.00
-ARI ARC Inside	.....474.00
-ARIO ARC In and Out	.....628.00
-C Flashing Clamp	.....N/C
-G Galvanized CI	.....540.00
-M Ductile Iron Grate	.....367.00
-P Trap Primer Conn	.....99.00
-SC Solid Scor Cover	.....294.00
-SSM SS Mesh on Bucket	.....253.00
-U Vandal Proof Grate	.....89.00

**DEDUCT**

-LB Less Bucket	.....101.00
-LLD Less Locking Device	.....190.00
-LSG Loose Set Grate	.....334.00

