



ROOF DRAINS

FIG. 1800 ROOF DRAIN AND OVERFLOW DRAIN

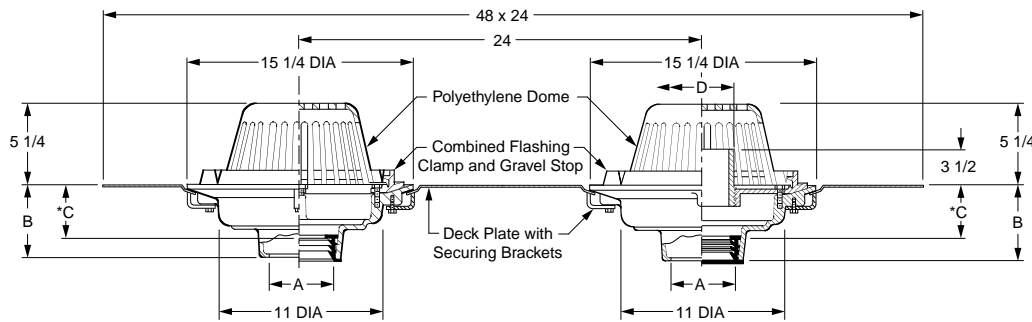


FUNCTION: Used on flat roofs of any construction (other than poured in place) where an emergency overflow drain can be used in combination with a standard roof drain. Large sump drain bodies with low profile domes provide sufficient free area for quick drainage of rainwater while protecting the drain sump and connected piping from the intrusion of debris. Internal standpipe type overflow drain receives water only when the build-up is greater than the setting of the standpipe. Water dam standpipe can be cut to achieve various water depths on the roof. Attached wide dual drain deck plate with securing holes enables both drains to be secured to the roof deck from the top surface of the roof reducing installation time, reducing the number of roof penetrations and eliminating the need for an underdeck clamp. The wide dual deck plate also recesses the drains slightly to prevent water build-up at the base of the drains.

OUTLET VARIATIONS (Specify type of outlet and pipe size in inches.)



Outlet Type	Outlet Designation	Outlet Type/Pipe Size	"B" Body HT. DIM.	ADD
Inside Caulk	C02, C03, C04, C05, C06		5"	N/C
Speedi-Set SW	L02, L03, L04		5"	N/C
Speedi-Set XH	LXH02, LXH03, LXH04		5"	N/C
Threaded	T02, T03, T04, T05, T06		3 3/4"	94.00
No-Hub	Y02, Y03, Y04, Y05, Y06		5"	N/C



*Note: This dimension to internal stop of Speedi-Set gasket

A OUTLET SIZE	*C DIA.	D STANDPIPE SIZE	FREE AREA SQ. IN.	†DUCO CI POLY DOME
02, 03, 04"	3 3/4"	4"	102.5	1,512.00
05, 06"	3 3/4"	6"	102.5	1,879.00

REGULARLY FURNISHED: Duco cast iron bodies with combined flashing clamp and gravel stop for roof drain and combined flashing clamp for gravel stop with 3 1/2" high internal water dam standpipe for overflow drain. Deck plate with securing holes provided to receive both drains. Both drains provided with polyethylene domes.

OPTIONS:

	ADD
-AD Aluminum Dome	299.00
-C2 Secondary Flashing Clamp	224.00
-CID Cast Iron Dome	256.00
-CIDG Cast Iron Dome with Galvanizing	692.00
-CID8 8" High Cast Iron Dome	558.00
-E Extension up to 4"	806.00
per inch over 4"	191.00
-G Galvanized Cast Iron Body	1,164.00
-PDSSM SS Mesh on Poly Dome	610.00
-RBD Rough Bronze Dome	1,008.00
-RBDSSM Rough Bronze Dome w/SS Mesh	1,618.00
-U Vandal Proof Dome	150.00

