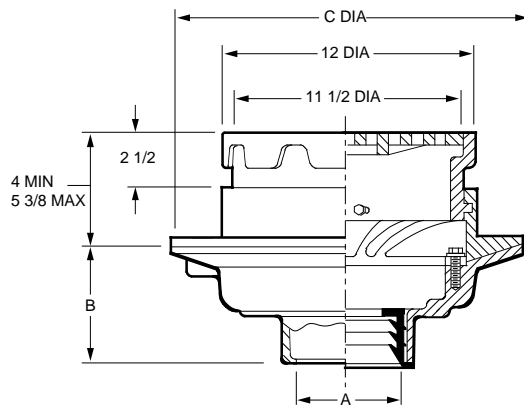




FLOOR DRAINS

FIG. 2330 MEDIUM DUTY FLOOR DRAIN WITH 12" ROUND ADJUSTABLE TOP

FUNCTION: Used in medium traffic areas where large top drain is required. Adjustable top collar permits accurate positioning of top grate to meet finished floor level.



A OUTLET SIZE	TOP SIZE	FREE AREA SQ IN	C DIA	†DUCO CI	DUCO CI PB TOP	DUCO CI NB TOP	APPROX. WEIGHT LBS
02, 03, 04"	12"	28.5	15 1/4"	1,033.00	1,428.00	1,490.00	57
05, 06"	12"	28.5	15 1/4"	1,033.00	1,428.00	1,490.00	57

REGULARLY FURNISHED: Duco Cast Iron Body and Flashing Collar with Adjustable Top and Bar Grate.

OUTLET VARIATIONS (Specify type of outlet and pipe size in inches.)

Outlet Type	Outlet Designation Type/Pipe Size	"B" Body HT. DIM.	ADD
Inside Caulk	C02, C03, C04, C05, C06	5"	N/C
Speedi-Set SW	L02, L03, L04	5"	N/C
Speedi-Set XH	LXH02, LXH03, LXH04	5"	N/C
Threaded	T02, T03, T04, T05, T06	3 3/4"	47.00
No-Hub	Y02, Y03, Y04, Y05, Y06	5"	N/C

OPTIONS:

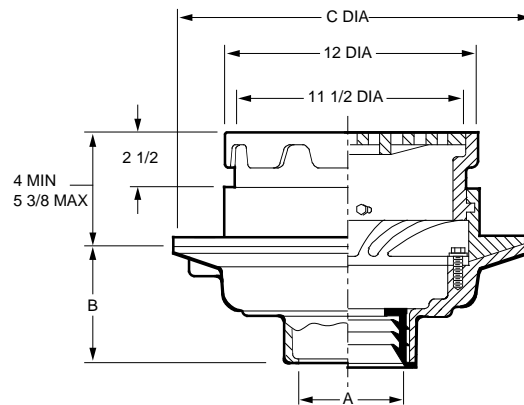
Option	Description	ADD
-B	Sediment Bucket	156.00
-D	Dome Grate, CI	84.00
-DID	Drain Installation Device	125.00
-DNB	Dome Grate, add to CI	753.00
-DPB	Dome Grate, add to CI	647.00
-E	Ext, ea 2" or fract	150.00
-FBSCI	Flat Bottom Strainer, CI	36.00
-FP	Frost Proof Bucket	223.00
-G	Galvanized CI	492.00
-H	Hinged Grate	156.00
-M	Ductile Iron Grate	157.00
-P	Trap Primer Conn	99.00
-S	Square Top, CI	208.00
-SNB	Square Top, add to CI	753.00
-SPB	Square Top, add to CI	654.00
-U	Vandal Proof Grate	89.00

FLOOR DRAINS

FIG. 2331 MEDIUM DUTY FLOOR DRAIN WITH 12" ROUND ADJUSTABLE TOP

FUNCTION: Used in medium traffic areas where large top drain is required. Adjustable top collar permits accurate positioning of top grate to meet finished floor level.

2331
Same as
2330
with shallow
body



A OUTLET SIZE	TOP SIZE	FREE AREA SQ IN	C DIA	†DUCO CI	DUCO CI PB TOP	DUCO CI NB TOP	APPROX. WEIGHT LBS
02, 03, 04"	12"	28.5	16"	897.00	1,292.00	1,354.00	52
05, 06"	12"	28.5	16"	897.00	1,292.00	1,354.00	52

REGULARLY FURNISHED: Duco Cast Iron Body and Flashing Collar with Adjustable Top and Bar Grate.

OUTLET VARIATIONS (Specify type of outlet and pipe size in inches.)

Outlet Type	Outlet Designation Type/Pipe Size	"B" Body HT. DIM.	ADD
Inside Caulk	C02, C03, C04, C05, C06	3 3/4"	N/C
Threaded	T02, T03, T04, T05, T06	3 3/4"	47.00
No-Hub	Y02, Y03, Y04, Y05, Y06	See Fig. 2646Y	

OPTIONS:

Option	Description	ADD
-B	Sediment Bucket	156.00
-D	Dome Grate, CI	84.00
-DNB	Dome Grate, add to CI	654.00
-DPB	Dome Grate, add to CI	654.00
-E	Ext, ea 2" or fract	150.00
-FP	Frost Proof Bucket	223.00
-FBSCI	Flat Bottom Strainer, CI	36.00
-G	Galvanized CI	492.00
-H	Hinged Grate	156.00
-M	Ductile Iron Grate	157.00
-S	Square Top, CI	208.00
-SNB	Square Top, add to CI	654.00
-SPB	Square Top, add to CI	654.00
-U	Vandal Proof Grate	89.00

