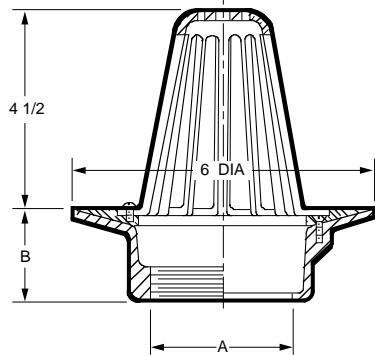




# ROOF DRAINS

## FIG. 1630 HIGH DOME - BOTTOM OUTLET GUTTER DRAIN

**FUNCTION:** Used in gutters where a drain is required for connecting to the downspout leader. Flashing arrangement design permits removal of dome or flat strainer without disturbing flashing clamp and gutter liner. Used where an abnormal amount of debris is anticipated.



**OUTLET VARIATIONS** (Specify type of outlet and pipe size in inches.)

Outlet Type	Outlet Designation Type/Pipe Size	ADD
Inside Caulk	C02	N/C
Threaded	T02, T03, T04	N/C

**OPTIONS:**

Option	ADD
-CP Chrome Plated Dome	209.00
-G Galvanized Cast Iron	100.00
-NB Nickel Bronze Dome	193.00
-PB Polished Bronze Dome	131.00
-SSM SS Mesh on Dome	261.00
-U Vandal Proof Dome	33.00
2" High Water Dam on Collar	227.00

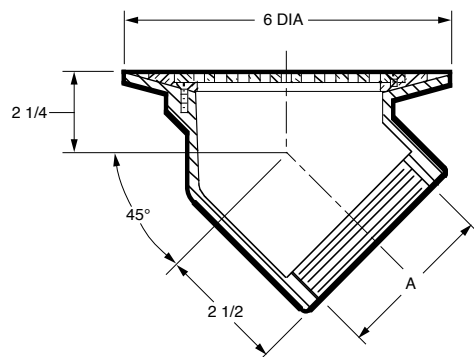
ROOF DRAINS

A OUTLET SIZE	B BODY HT.	FLANGE DIA	FREE AREA SQ IN	†DUCO CI RB TOP	ALL ROUGH BRZ (-BB)	APPROX. WEIGHT LBS
02, 03"	2"	6"	24.5	304.00	472.00	5
02, 03"	4"	6"	24.5	531.00	724.00	6
04"	4"	6"	24.5	724.00	1,250.00	6

**REGULARLY FURNISHED:** Duco Cast Iron Body with Bronze Flashing Clamp and Bronze Top Secured with Brass Screws.

## FIG. 1640 FLAT STRAINER - 45° OUTLET GUTTER DRAIN

**FUNCTION:** Used in gutters where a drain is required for connecting to the downspout leader. Flashing arrangement design permits removal of dome or flat strainer without disturbing flashing clamp and gutter liner. Does not obstruct traffic.



**OUTLET VARIATIONS** (Specify type of outlet and pipe size in inches.)

Outlet Type	Outlet Designation Type/Pipe Size	ADD
Threaded	T02, T03, T04	N/C

**OPTIONS:**

Option	ADD
-CP Chrome Plated Grate	138.00
-G Galvanized Cast Iron	100.00
-NB Nickel Bronze Grate	124.00
-PB Polished Bronze Grate	74.00
-SSM SS Mesh on Grate	71.00
-U Vandal Proof Grate	33.00
2" High Water Dam on Collar	227.00

A OUTLET SIZE	FLANGE DIA	FREE AREA SQ IN	†DUCO CI RB TOP	ALL ROUGH BRZ (-BB)	APPROX. WEIGHT LBS
02"	6"	7	322.00	528.00	7
03"	6"	7	438.00	791.00	10
04"	6"	7	438.00	791.00	10

**REGULARLY FURNISHED:** Duco Cast Iron Body with Bronze Flashing Clamp and Bronze Top Secured with Brass Screws.

