

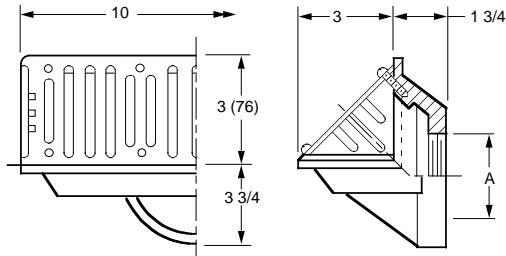


# ROOF DRAINS

## FIG. 1560 SCUPPER DRAIN - 90° OUTLET



**FUNCTION:** Used at junction of roof and parapet or in metal lined gutters. Gasket and metal lining are secured with grate, insuring a watertight arrangement.



**OUTLET VARIATIONS** (Specify type of outlet and pipe size in inches.)

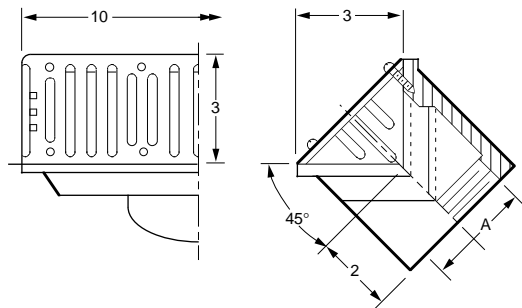
Outlet Type	Outlet Designation Outlet Type/Pipe Size	ADD
Threaded.....	T02, T03.....	N/C

A OUTLET SIZE	FLANGE SIZE	FREE AREA SQ IN	†ALL RB	RB BODY PB TOP(PB)	RB BODY NB TOP(NB)	APPROX. WEIGHT LBS
02, 03"	3 x 10"	14.5	686.00	880.00	1,086.00	21

**REGULARLY FURNISHED:** Cast Bronze Body with Combined Rough Bronze Grate, Flashing Clamp and Gasket.

## FIG. 1570 SCUPPER DRAIN - 45° OUTLET

**FUNCTION:** Used at junction of roof and parapet or in metal lined gutters. Gasket and metal lining are secured with grate, insuring a watertight arrangement.



**OUTLET VARIATIONS** (Specify type of outlet and pipe size in inches.)

Outlet Type	Outlet Designation Outlet Type/Pipe Size	ADD
Threaded.....	T02, T03.....	N/C

A OUTLET SIZE	FLANGE SIZE	FREE AREA SQ IN	†ALL RB	RB BODY PB TOP(PB)	RB BODY NB TOP(NB)	APPROX. WEIGHT LBS
02, 03"	3 x 10"	14.5	686.00	880.00	1,086.00	21

**REGULARLY FURNISHED:** Cast Bronze Body with Combined Rough Bronze Grate, Flashing Clamp and Gasket.

