

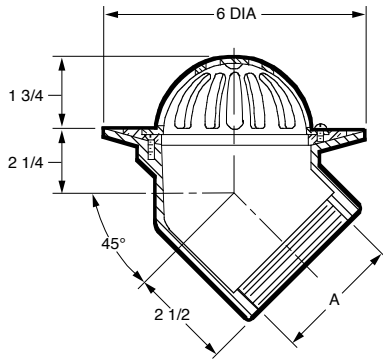


ROOF DRAINS

FIG. 1650 LOW DOME - 45° OUTLET GUTTER DRAIN



FUNCTION: Used in gutters where a drain is required for connecting to the downspout leader. Flashing arrangement design permits removal of dome or flat strainer without disturbing flashing clamp and gutter liner. Intercepts debris and allows adequate drainage in gutters and valleys.



OUTLET VARIATIONS (Specify type of outlet and pipe size in inches.)

Outlet Type	Outlet Designation Outlet Type/Pipe Size	ADD
Threaded.....	T02, T03, T04.....	N/C

OPTIONS:

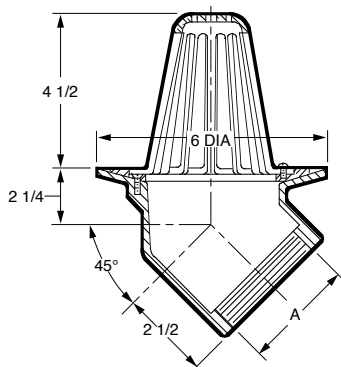
		ADD
-CP	Chrome Plated Dome.....	138.00
-G	Galvanized Cast Iron.....	100.00
-NB	Nickel Bronze Dome.....	124.00
-PB	Polished Bronze Dome.....	74.00
-SSM	SS Mesh on Dome.....	143.00
-U	Vandal Proof Dome.....	33.00
	2" High Water Dam on Collar.....	227.00

A OUTLET SIZE	FLANGE DIA	FREE AREA SQ IN	†DUCO CI RB TOP	ALL ROUGH BRZ (-BB)	APPROX. WEIGHT LBS
02"	6"	8	322.00	528.00	7
03"	6"	8	438.00	791.00	10
04"	6"	8	438.00	791.00	12

REGULARLY FURNISHED: Duco Cast Iron
Body with Bronze Flashing Clamp and Bronze Top Secured with Brass Screws.

FIG. 1660 HIGH DOME - 45° OUTLET GUTTER DRAIN

FUNCTION: Used in gutters where a drain is required for connecting to the downspout leader. Flashing arrangement design permits removal of dome or flat strainer without disturbing flashing clamp and gutter liner. Used where an abnormal amount of debris is anticipated.



OUTLET VARIATIONS (Specify type of outlet and pipe size in inches.)

Outlet Type	Outlet Designation Outlet Type/Pipe Size	ADD
Threaded.....	T02, T03, T04.....	N/C

OPTIONS:

		ADD
-CP	Chrome Plated Dome.....	209.00
-G	Galvanized Cast Iron.....	100.00
-NB	Nickel Bronze Dome.....	193.00
-PB	Polished Bronze Dome.....	131.00
-SSM	SS Mesh on Dome.....	261.00
-U	Vandal Proof Dome.....	33.00
	2" High Water Dam on Collar.....	227.00

A OUTLET SIZE	FLANGE DIA	FREE AREA SQ IN	†DUCO CI RB TOP	ALL ROUGH BRZ (-BB)	APPROX. WEIGHT LBS
02"	6"	24.5	371.00	577.00	7
03"	6"	24.5	541.00	894.00	10
04"	6"	24.5	541.00	894.00	12

REGULARLY FURNISHED: Duco Cast Iron
Body with Bronze Flashing Clamp and Bronze Top Secured with Brass Screws.

