



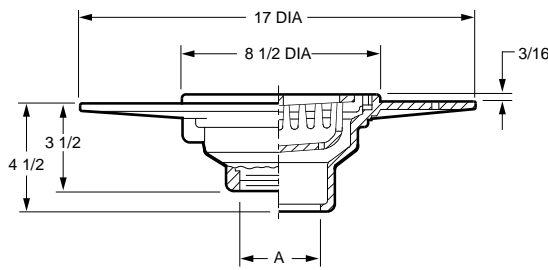
FLOOR DRAINS

FIG. DX2565 FLOOR DRAIN WITH WIDE FLANGE BODY AND "SAFE-SET" BUCKET



FUNCTION: Used in light duty areas where waste water contains solids or debris that must be prevented from entering drainage system. Wide flange allows adhesion of waterproof traffic deck covering, insuring watertight integrity. "Safe-Set" design insures bucket replacement after cleaning.

OUTLET VARIATIONS (Specify type of outlet and pipe size in inches.)



Outlet Type	Outlet Designation Outlet Type/Pipe Size	ADD
Inside Caulk	C02, C03, C04	N/C
Threaded	T02, T03, T04	47.00
No-Hub	Y02, Y03, Y04	See Fig. 2646Y

OPTIONS:	ADD
-C Underdeck Clamp	138.00
-G Galvanized Cl	414.00
-R Membrane Clamp	N/C
-SH Securing Holes	74.00
-U Vandal Proof Screws	89.00

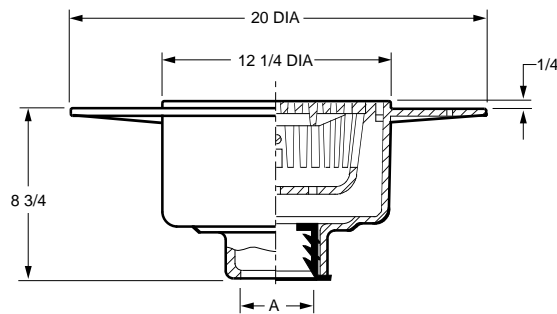
A OUTLET SIZE	TOP SIZE	FREE AREA SQ IN	†DUCO CI	DUCO CI PB TOP	DUCO CI NB TOP	APPROX. WEIGHT LBS
02, 03, 04"	8 1/2"	9.25	850.00	1,116.00	1,179.00	30

REGULARLY FURNISHED: Duco Cast Iron 4" Wide Flange Body with Bucket and Grate.

FIG. DX2566 FLOOR DRAIN WITH WIDE FLANGE BODY AND "SAFE-SET" BUCKET

FUNCTION: Used in high flow areas where waste water contains solids or debris that must be prevented from entering drainage system. Wide flange allows adhesion of waterproof traffic deck covering, insuring watertight integrity. "Safe-Set" design insures bucket replacement after cleaning.

OUTLET VARIATIONS (Specify type of outlet and pipe size in inches.)



Outlet Type	Outlet Designation Outlet Type/Pipe Size	ADD
Inside Caulk	C02, C03, C04, C05, C06	N/C
Threaded	T02, T03, T04, T05, T06	47.00
No-Hub	Y02, Y03, Y04, Y05, Y06	N/C

OPTIONS:	ADD
-C Underdeck Clamp	146.00
-G Galvanized Cl	582.00
-M Ductile Iron Grate	157.00
-R Membrane Clamp	N/C
-SH Securing Holes	74.00
-U Vandal Proof Screws	89.00

A OUTLET SIZE	TOP SIZE	FREE AREA SQ IN	†DUCO CI	DUCO CI PB TOP	DUCO CI NB TOP	APPROX. WEIGHT LBS
02, 03, 04"	12 1/4"	25.25	1,227.00	1,622.00	1,684.00	68
05, 06"	12 1/4"	25.25	1,227.00	1,622.00	1,684.00	68

REGULARLY FURNISHED: Duco Cast Iron 4" Wide Flange Body with Bucket and Grate.

